

SARATOGA COUNTY SEWER DISTRICT #1 (S.C.S.D. #1)

NOTES:

- **THE CONTRACTOR SHALL NOTIFY S.C.S.D. #1 AT LEAST 48 HOURS PRIOR TO THE START OF ANY SEWER RELATED WORK.**
- THE CONTRACTOR SHALL OBTAIN SANITARY SEWER CONSTRUCTION PERMITS FROM BOTH THE CITY/TOWN AND SARATOGA COUNTY SEWER DISTRICT #1 (S.C.S.D. #1) PRIOR TO CONSTRUCTION OF ANY SANITARY SEWERS.
- S.C.S.D. #1 RECOMMENDS THE CONTRACTOR TO MEET WITH SARATOGA COUNTY DEPARTMENT OF PUBLIC WORKS (S.C.D.P.W.) OFFICIALS WELL IN ADVANCE OF CONSTRUCTION, TO REVIEW THE PROPOSED WORK IN THE COUNTY'S RIGHT OF WAY (R.O.W.)
- A COPY OF ALL STATE, COUNTY, CITY AND TOWN ROAD CROSSINGS AND UTILITY WORK PERMITS ARE REQUIRED BY S.C.S.D. #1 FOR THE ISSUANCE OF SEWER CONSTRUCTION PERMITS.
- S.C.S.D. #1 REQUIRES ALL NECESSARY EASEMENTS TO BE FILED IN THE STANDARD COUNTY FORMAT PRIOR TO THE ISSUANCE OF A SEWER CONSTRUCTION PERMIT.
- A SEPARATE SEWER PERMIT IS REQUIRED FOR "ON-SITE" AND "OFF-SITE" SEWER WORK. "ON-SITE" WORK IS CONSIDERED ALL COLLECTION PIPING TO THE PUMP STATION. "OFF-SITE" WORK IS CONSIDERED ALL WORK RELATED TO THE PUMP STATION, PUMP STATION SITE AND SANITARY FORCE MAIN.
- SHALL FOLLOW S.C.S.D.#1 STANDARD SPECIFICATIONS AND SEWER USE ORDINANCE.
- NO GLUE FITTINGS, JOINTS OR BUSHINGS SHALL BE USED.
- FOR GRAVITY SEWER REPAIRS, CONNECTIONS, COUPLINGS SHALL BE:
 - SDR 21 OR SDR 26 COUPLINGS
 - "SHEAR GUARD" COUPLING BY INDIANA GUARD - A GPK PRODUCTS COMPANY
 - "STRONG BACK" BY FERNCO
 - OR APPROVED EQUAL
 - CONTRACTOR SHALL SUBMIT SLIP LINING MANUFACTURER AND SPECIFICATIONS FOR REVIEW
- FOR TIE IN CONNECTIONS, THE FOLLOWING SADDLES SHALL BE USED:
 - STAINLESS STEEL TAPPING SLEEVE, BANDED REPAIR SERVICE SADDLE, FULL CIRCLE REPAIR CLAMP FOR TAPPING BY SMITH BLAIR, JCM INDUSTRIES SERVICE SADDLE OR APPROVED EQUAL
 - FERNCO "QUIKSEAL" (GRAVITY SEWER ONLY)
 - INSERTA TEE (GRAVITY SEWER ONLY)
- CONTRACTOR SHALL SUBMIT SLIP LINING MANUFACTURER AND SPECIFICATIONS FOR REVIEW
- CONTRACTOR SHALL SUBMIT SPECIFICATIONS FOR ALL VACUUM TESTING FOR REVIEW
- S.C.S.D. #1 RESERVES THE RIGHT, AT OUR DISCRETION, TO CHANGE, MODIFY, ADD OR REMOVE PORTIONS OF THESE DETAIL SPECIFICATIONS AT ANY TIME



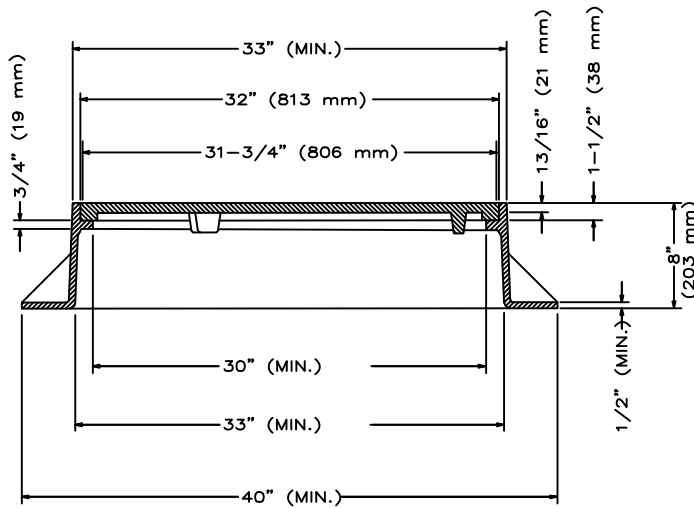
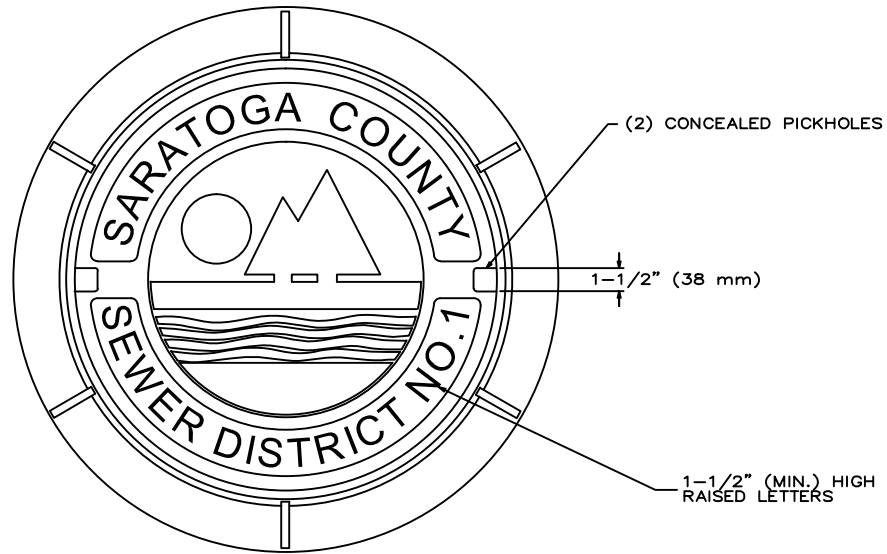
SARATOGA COUNTY SEWER DISTRICT #1

1002 HUDSON RIVER ROAD, MECHANICVILLE, NEW YORK

P.O. Box 550 Mechanicville, New York 12118
<http://www.saratogacountyny.gov/departments/sewer-district-1/>

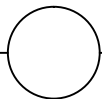
Telephone: (518) 664-7396
Fax: (518) 664-6280

SARATOGA COUNTY SEWER DISTRICT #1
 RESERVES THE RIGHT, AT OUR DISCRETION, TO
 CHANGE, MODIFY, ADD OR REMOVE PORTIONS
 OF THESE DETAIL SPEC'S AT ANY TIME



MANUFACTURER _____
 SIP INDUSTRIES/SERAMPORE
 EJ COMPANIES
 NEENAH FOUNDRY

NOTE: _____
 MATERIAL: GRAY IRON per ASTM A48 CLASS 35B



SANITARY MANHOLE COVER DETAIL (S.C.S.D. #1)
 NOT TO SCALE

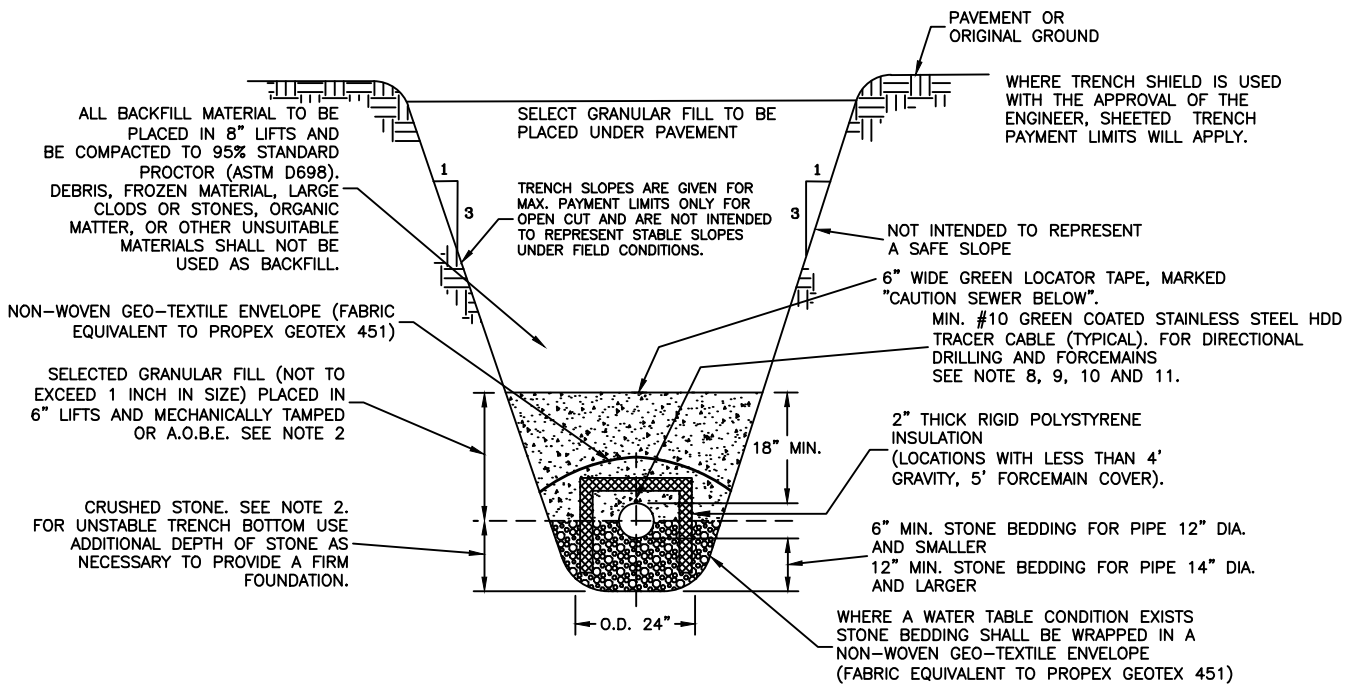


SARATOGA COUNTY SEWER DISTRICT #1

1002 HUDSON RIVER ROAD, MECHANICVILLE, NEW YORK

P.O. Box 550 Mechanicville, New York 12118
<http://www.saratogacountyny.gov/departments/sewer-district-1/>

Telephone: (518) 664-7396
 Fax: (518) 664-6280



NOTES:

- 1) NATIVE EXCAVATED GRANULAR MATERIAL MAY BE USED FOR BACKFILL IF APPROVED BY THE ENGINEER.
- 2) CRUSHED STONE #1 AND #2, NOT TO EXCEED ONE (1) INCH IN SIZE. A.O.B.E. = AS ORDERED BY ENGINEER.
- 3) GRAVITY LINE SHALL BE SDR 21 OR 26, INCLUDING FITTINGS.
- 4) FORCE MAIN LINE SHALL BE C-900, DR 9 OR 11 (200 PSI MINIMUM).
- 5) THE GRAVITY SEWER LATERAL SHALL BE LAID AT A UNIFORM GRADE OF ¼ INCH PER FOOT (ABOUT 2%).
- 6) WHERE A WATER TABLE CONDITION EXISTS, STONE BEDDING SHALL BE WRAPPED IN A NON-WOVEN GEO-TEXTILE ENVELOPE (FABRIC EQUIVALENT TO PROPEX GEOTEX 451).
- 7) CONTRACTORS SHALL COMPLY WITH ALL LOCAL, STATE, AND FEDERAL SAFETY REGULATIONS.
- 8) TRACER WIRE SHALL BE GREEN IN COLOR.
- 9) TRACER WIRE SHALL BE A MINIMUM OF #10 GAUGE STRANDED STAINLESS STEEL.
- 10) TRACER WIRE SHALL BE APPROVED FOR HORIZONTAL DIRECTIONAL DRILLING (HDD) APPLICATIONS.
- 11) TRACER WIRE SHALL BE HIGH-DENSITY POLYETHYLENE (HDPE) INSULATED STRANDED STAINLESS STEEL OR APPROVED BY SCSD#1.

TRENCH DETAIL
 NOT TO SCALE

SARATOGA COUNTY SEWER DISTRICT #1
 RESERVES THE RIGHT, AT OUR DISCRETION, TO
 CHANGE, MODIFY, ADD OR REMOVE PORTIONS
 OF THESE DETAIL SPEC'S AT ANY TIME

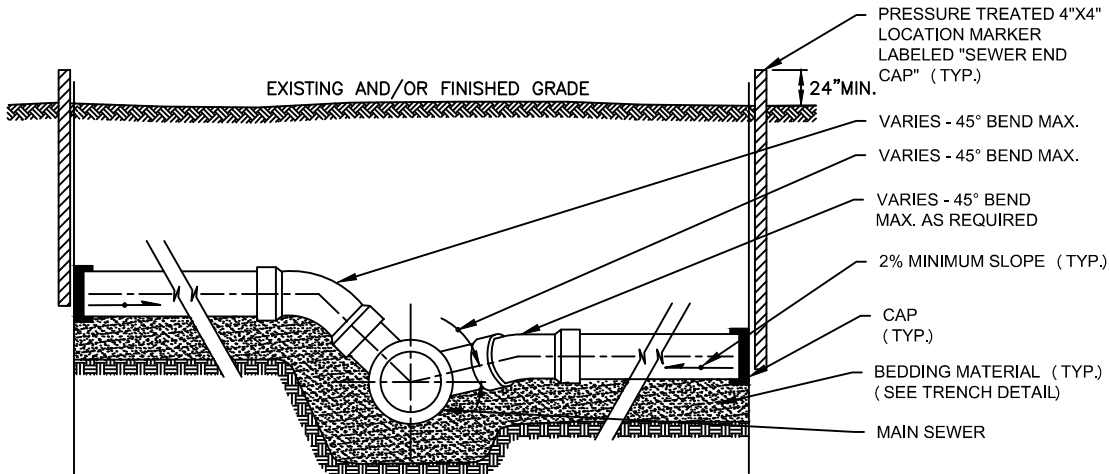


SARATOGA COUNTY SEWER DISTRICT #1

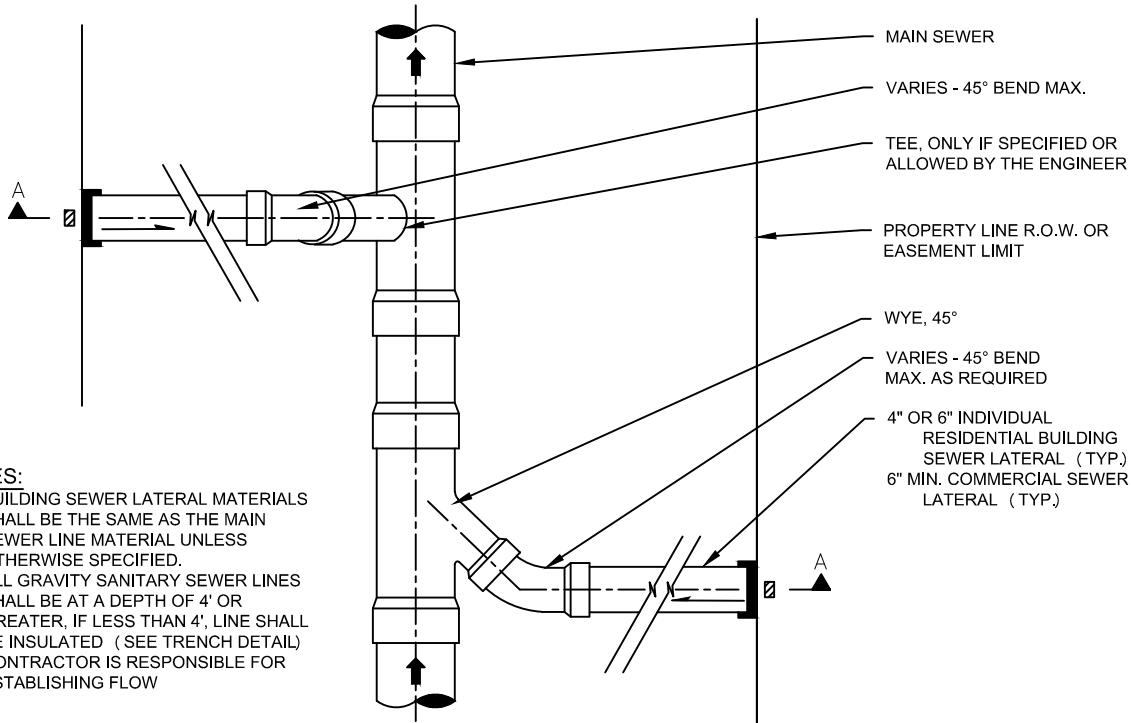
1002 HUDSON RIVER ROAD, MECHANICVILLE, NEW YORK

P.O. Box 550 Mechanicville, New York 12118
<http://www.saratogacountyny.gov/departments/sewer-district-1/>

Telephone: (518) 664-7396
 Fax: (518) 664-6280



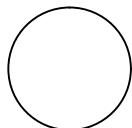
LATERAL CONNECTION SECTION



LATERAL CONNECTION PLAN

NOTES:

- BUILDING SEWER LATERAL MATERIALS SHALL BE THE SAME AS THE MAIN SEWER LINE MATERIAL UNLESS OTHERWISE SPECIFIED.
- ALL GRAVITY SANITARY SEWER LINES SHALL BE AT A DEPTH OF 4' OR GREATER, IF LESS THAN 4', LINE SHALL BE INSULATED (SEE TRENCH DETAIL)
- CONTRACTOR IS RESPONSIBLE FOR ESTABLISHING FLOW



SANITARY SEWER SERVICE CONNECTIONS

SCALE: NTS

SARATOGA COUNTY SEWER DISTRICT #1
RESERVES THE RIGHT, AT OUR DISCRETION, TO
CHANGE, MODIFY, ADD OR REMOVE PORTIONS
OF THESE DETAIL SPEC'S AT ANY TIME



SARATOGA COUNTY SEWER DISTRICT #1

1002 HUDSON RIVER ROAD, MECHANICVILLE, NEW YORK

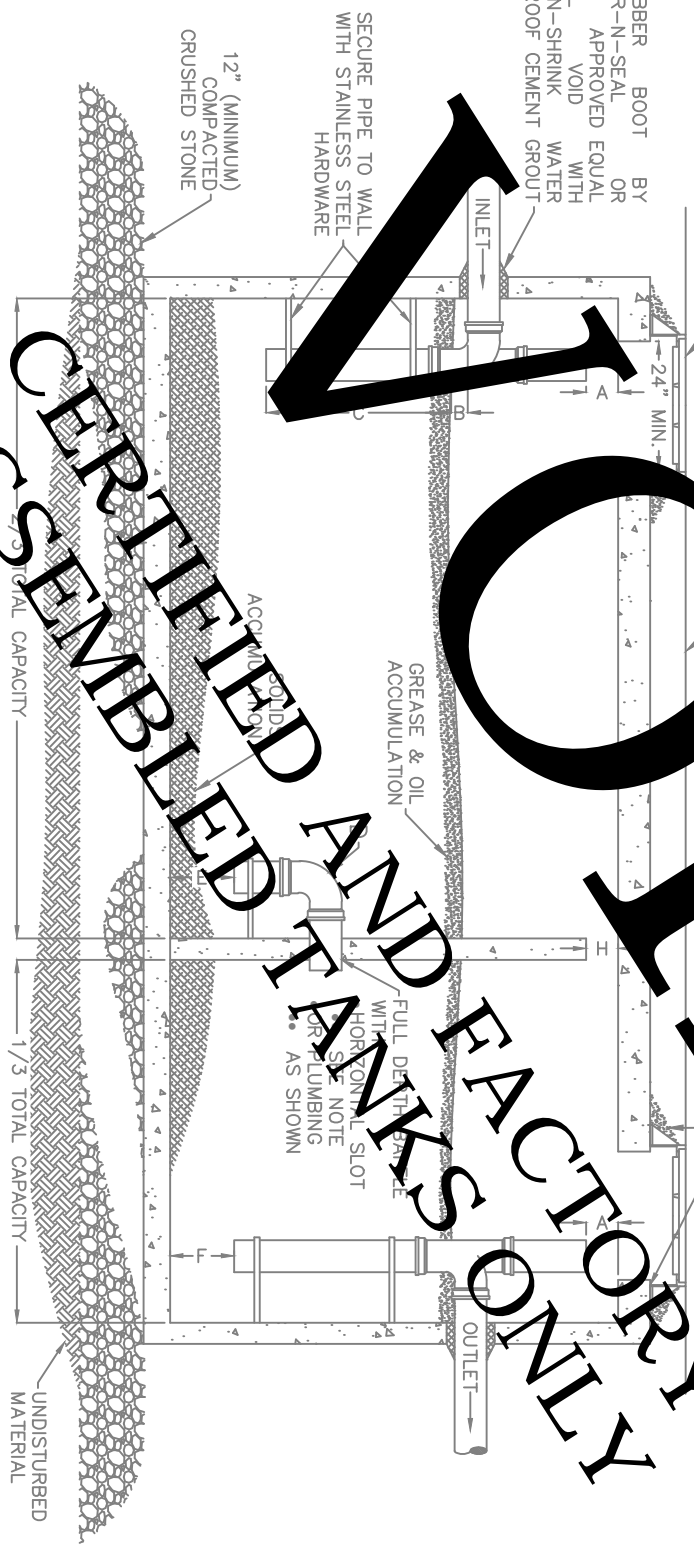
P.O. Box 550 Mechanicville, New York 12118
<http://www.saratogacountyny.gov/departments/sewer-district-1/>

Telephone: (518) 664-7396
Fax: (518) 664-6280

- LEGEND:**
- A. MINIMUM 6 INCHES
 - B. INLET PIPE INVERT TO BE 2-1/2 INCHES ABOVE LIQUID SURFACE
 - C. INLET PIPE TO TERMINATE 2/3 DEPTH OF WATER LEVEL
 - D. 90 DEGREE SWEEP, MINIMUM SIZE - 6 INCH SDR-26
 - E. 12 INCH FROM FLOOR TO END OF SWEEP
 - F. 12 INCH FROM FLOOR TO END OF OUTLET PIPE
 - G. MINIMUM DEPTH OF LIQUID CAPACITY - 42 INCHES
 - H. MAXIMUM DISTANCE FROM CEILING - 6 INCHES

- CAST IRON LIQUID TIGHT (GASKET) MANHOLE FRAME AND COVER TO GRADE
- NEENAH FOUNDRY R-1558 SYRACUSE CASTINGS 1012B OR APPROVED EQUAL

- RUBBER BOOT BY KOR-N-SEAL APPROVED EQUAL
- FILL VOID WITH NON-SHRINK WATER PROOF CEMENT GROUT



NOT FOR CONSTRUCTION
 ONLY FOR FACTORY
 AND FIELD
 CERTIFIED
 ASSEMBLED
 PRECAST CONCRETE GRAVITY GREASE INTERCEPTOR

- NOTES:**
- CRUSHED STONE NOT TO EXCEED #2 IN SIZE
 - ALL PIPES AND FITTINGS SHALL BE 6 INCH SDR-26
 - SEWER LATERAL PIPE SHALL BE LAID AT A UNIFORM GRADE OF 1/4 INCH PER FOOT (ABOUT 2%) REFER TO SCD #1 "TRENCH DETAIL" FOR FURTHER INSTRUCTION
 - WOOD SHALL NOT BE USED
 - FRAME, GRADE RINGS (AS NEEDED), AND TANK SHALL BE LIQUID TIGHT AS A UNIT
 - SHALL BE VACUUMED OR WATER TESTED PRIOR TO BACKFILLING
 - WHERE INSTRUCTIONS ARE IN CONFLICT WITH MANUFACTURER'S INSTRUCTIONS, THE MANUFACTURER'S INSTRUCTIONS SHALL BE USED
 - TANK SHALL BE INSTALLED IN COMPLIANCE WITH ASME A13.1 AND IAPMO/ANSI Z1001
 - CAPACITY OF 750 GALLONS OR TWO (2) SIN
 - EFFECTIVE CAPACITY OF TWO (2) SIN
 - MULTIPLE CAPACITY GREASE INTERCEPTORS IN SERIES WITH A MINIMUM EFFECTIVE CAPACITY OF 100 GALLONS
 - BATTERED TO BE LOCATED AT THE POINT OF ENTRY TO THE TANK
 - SHALL BE LOCATED AT THE POINT OF ENTRY TO THE TANK
 - AREA OF 50 SQUARE INCHES
 - SHRINK WATER PROOF CEMENT GROUT

PRECAST CONCRETE GRAVITY GREASE INTERCEPTOR

NOT TO SCALE

(BY FORT MILLER CO. OR EQUAL)

SARATOGA COUNTY SEWER DISTRICT #1 RESERVES THE RIGHT, AT OUR DISCRETION, TO CHANGE, MODIFY, ADD OR REMOVE PORTIONS OF THESE DETAIL SPECS AT ANY TIME

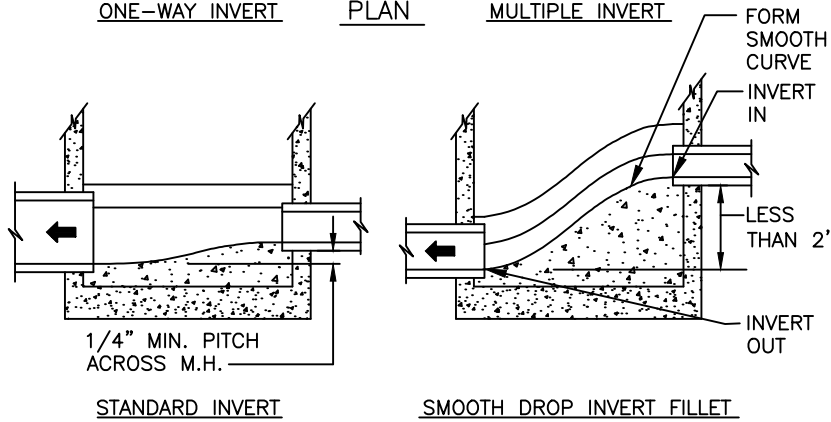
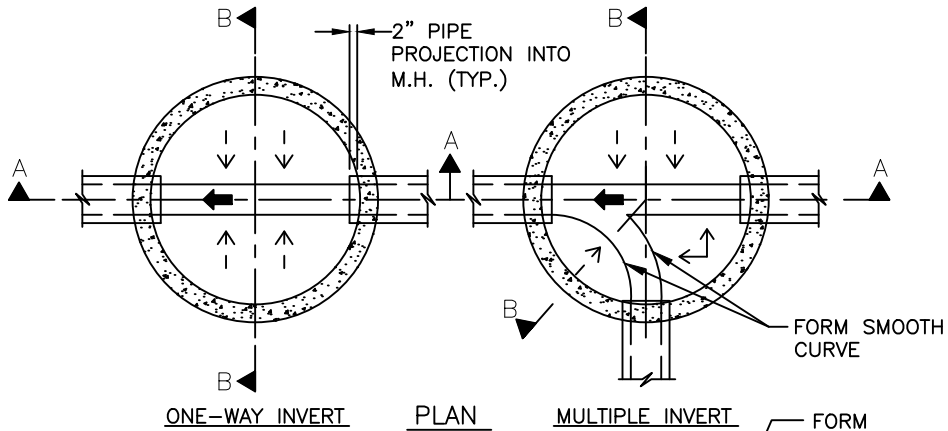


SARATOGA COUNTY SEWER DISTRICT #1

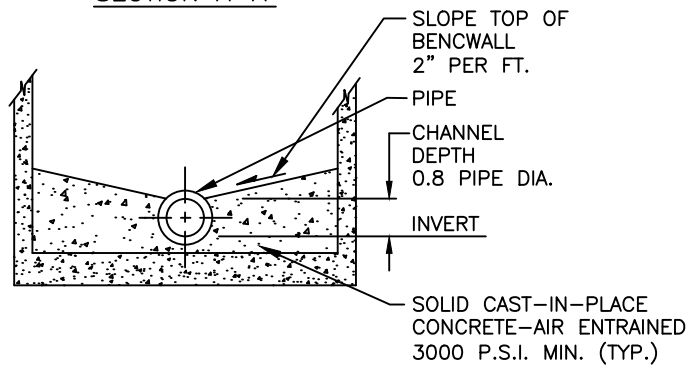
1002 HUDSON RIVER ROAD, MECHANICVILLE, NEW YORK

P.O. Box 550 Mechanicville, New York 12118
<http://www.saratogacountyny.gov/departments/sewer-district-1/>

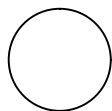
Telephone: (518) 664-7396
 Fax: (518) 664-6280



SECTION A-A



SECTION B-B



INVERT, CHANNEL AND BENCHWALL DETAILS

SCALE: N.T.S.

SARATOGA COUNTY SEWER DISTRICT #1
RESERVES THE RIGHT, AT OUR DISCRETION, TO
CHANGE, MODIFY, ADD OR REMOVE PORTIONS
OF THESE DETAIL SPEC'S AT ANY TIME



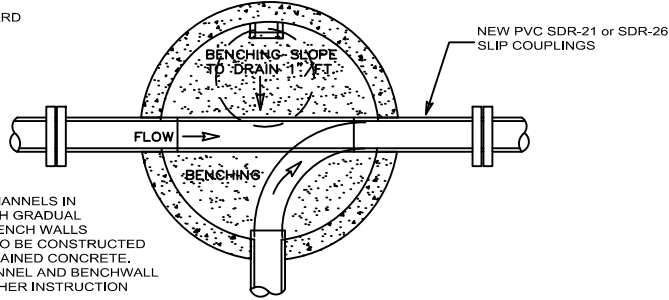
SARATOGA COUNTY SEWER DISTRICT #1

1002 HUDSON RIVER ROAD, MECHANICVILLE, NEW YORK

P.O. Box 550 Mechanicville, New York 12118
<http://www.saratogacountyny.gov/departments/sewer-district-1/>

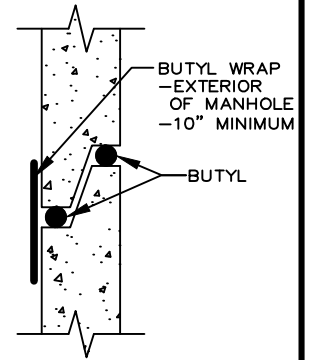
Telephone: (518) 664-7396
Fax: (518) 664-6280

- NOTES:
- PRECAST CONCRETE MANHOLE SECTIONS AS MANUFACTURED BY FORT MILLER, OR APPROVED EQUAL
 - ALL MANHOLES SHALL BE VACUUM TESTED PRIOR TO BACKFILL, PER SARATOGA COUNTY SEWER DISTRICT #1 STANDARD AND SPECIFICATIONS

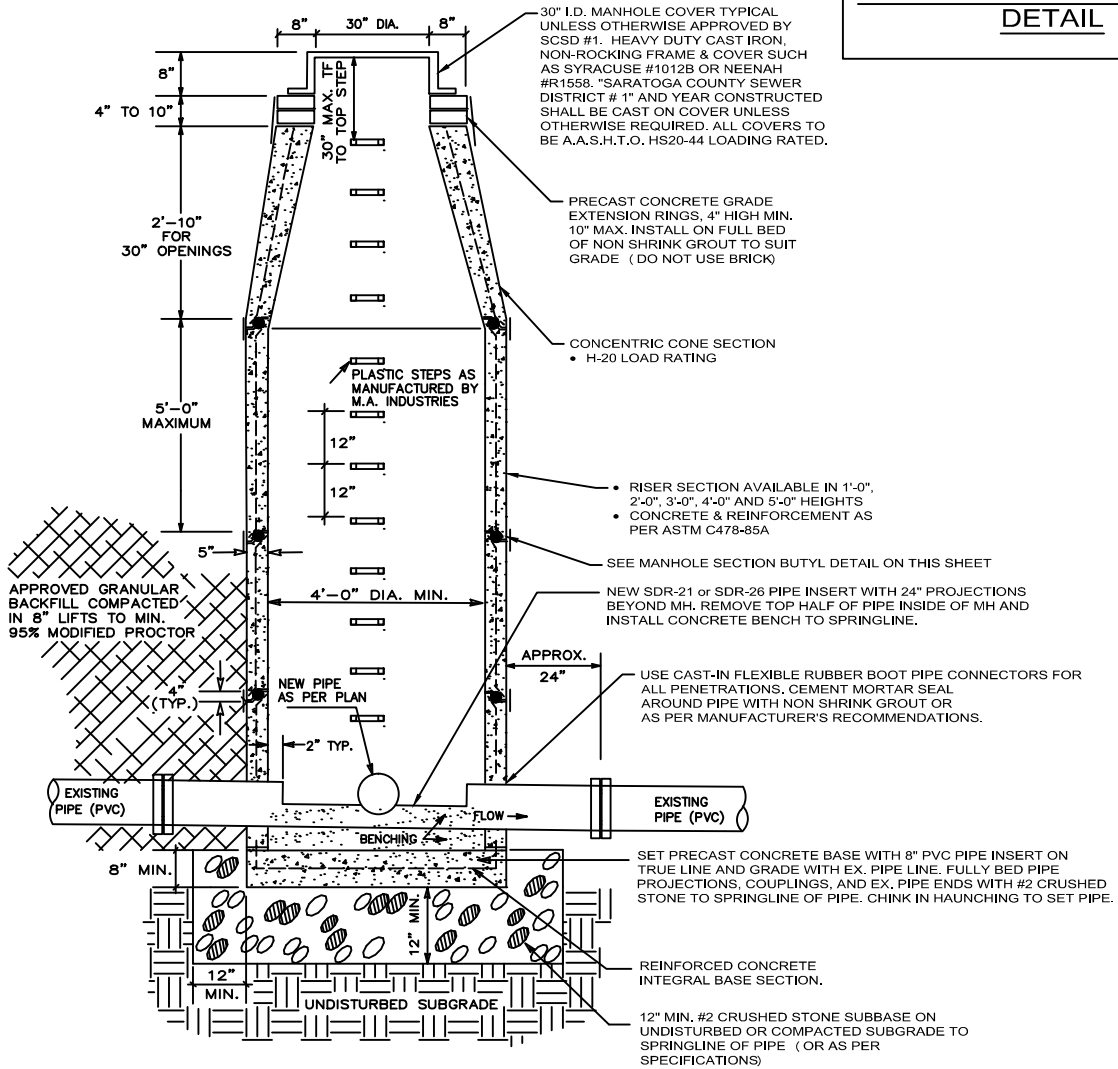


PROVIDE SMOOTH CHANNELS IN CONCRETE BASE WITH GRADUAL SIZE TRANSITIONS. BENCH WALLS AND NEW CHANNEL TO BE CONSTRUCTED OF 4000 PSI AIR-ENTRAINED CONCRETE.

- SEE INVERT, CHANNEL AND BENCHWALL DETAIL FOR FURTHER INSTRUCTION



**MANHOLE SECTION BUTYL
DETAIL**



EXISTING SANITARY GRAVITY MANHOLE CUT-IN
NOT TO SCALE

SARATOGA COUNTY SEWER DISTRICT #1
RESERVES THE RIGHT, AT OUR DISCRETION, TO
CHANGE, MODIFY, ADD OR REMOVE PORTIONS
OF THESE DETAIL SPEC'S AT ANY TIME



SARATOGA COUNTY SEWER DISTRICT #1

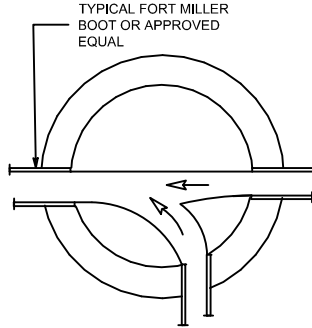
1002 HUDSON RIVER ROAD, MECHANICVILLE, NEW YORK

P.O. Box 550 Mechanicville, New York 12118
<http://www.saratogacountyny.gov/departments/sewer-district-1/>

Telephone: (518) 664-7396
Fax: (518) 664-6280

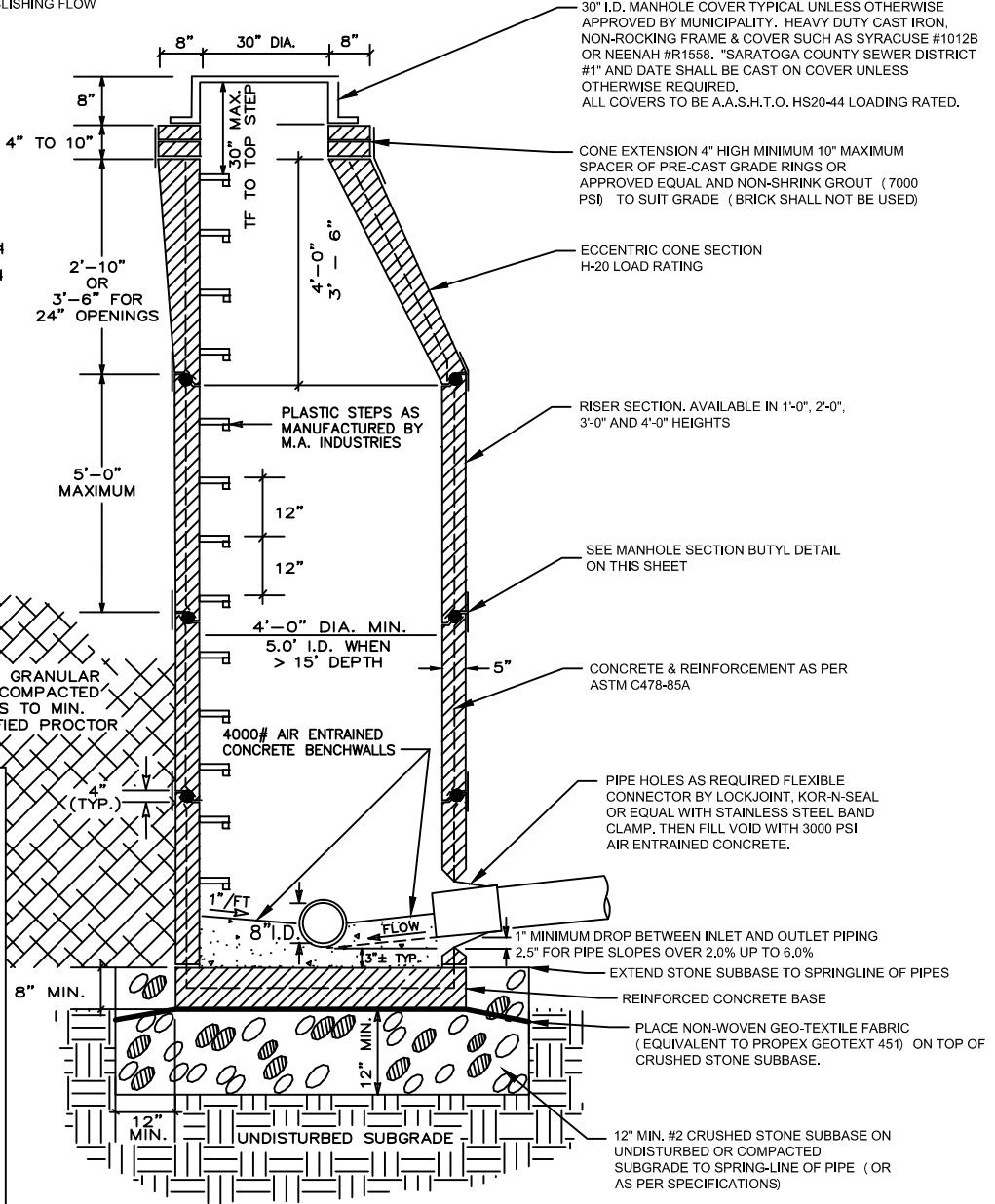
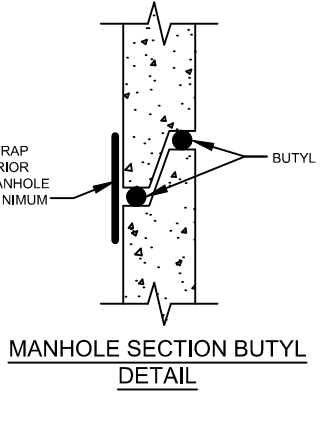
NOTES:

- PRECAST CONCRETE MANHOLE SECTIONS AS MANUFACTURED BY FORT MILLER, OR APPROVED EQUAL
- ALL MANHOLES SHALL BE VACUUM TESTED PRIOR TO BACKFILLING, PER SARATOGA COUNTY SEWER DISTRICT #1 STANDARD AND SPECIFICATIONS
- CONTRACTOR IS RESPONSIBLE FOR ESTABLISHING FLOW
- ALL OFF-SITE MANHOLES SHALL BE MARKED WITH RHINO MARKING PROTECTION SYSTEM PER SCSD #1
- CONTRACTOR IS RESPONSIBLE FOR ESTABLISHING FLOW



PROVIDE SMOOTH CHANNELS IN CONCRETE BASE WITH GRADUAL SIZE TRANSITIONS.

- NOT APPLICABLE FOR TERMINAL MANHOLES
- SEE INVERT, CHANNEL AND BENCHWALL DETAILS FOR FURTHER INSTRUCTION



SANITARY MANHOLE
NOT TO SCALE

(S.C.S.D. #1)

SARATOGA COUNTY SEWER DISTRICT #1
RESERVES THE RIGHT, AT OUR DISCRETION, TO CHANGE, MODIFY, ADD OR REMOVE PORTIONS OF THESE DETAIL SPEC'S AT ANY TIME



SARATOGA COUNTY SEWER DISTRICT #1
1002 HUDSON RIVER ROAD, MECHANICVILLE, NEW YORK

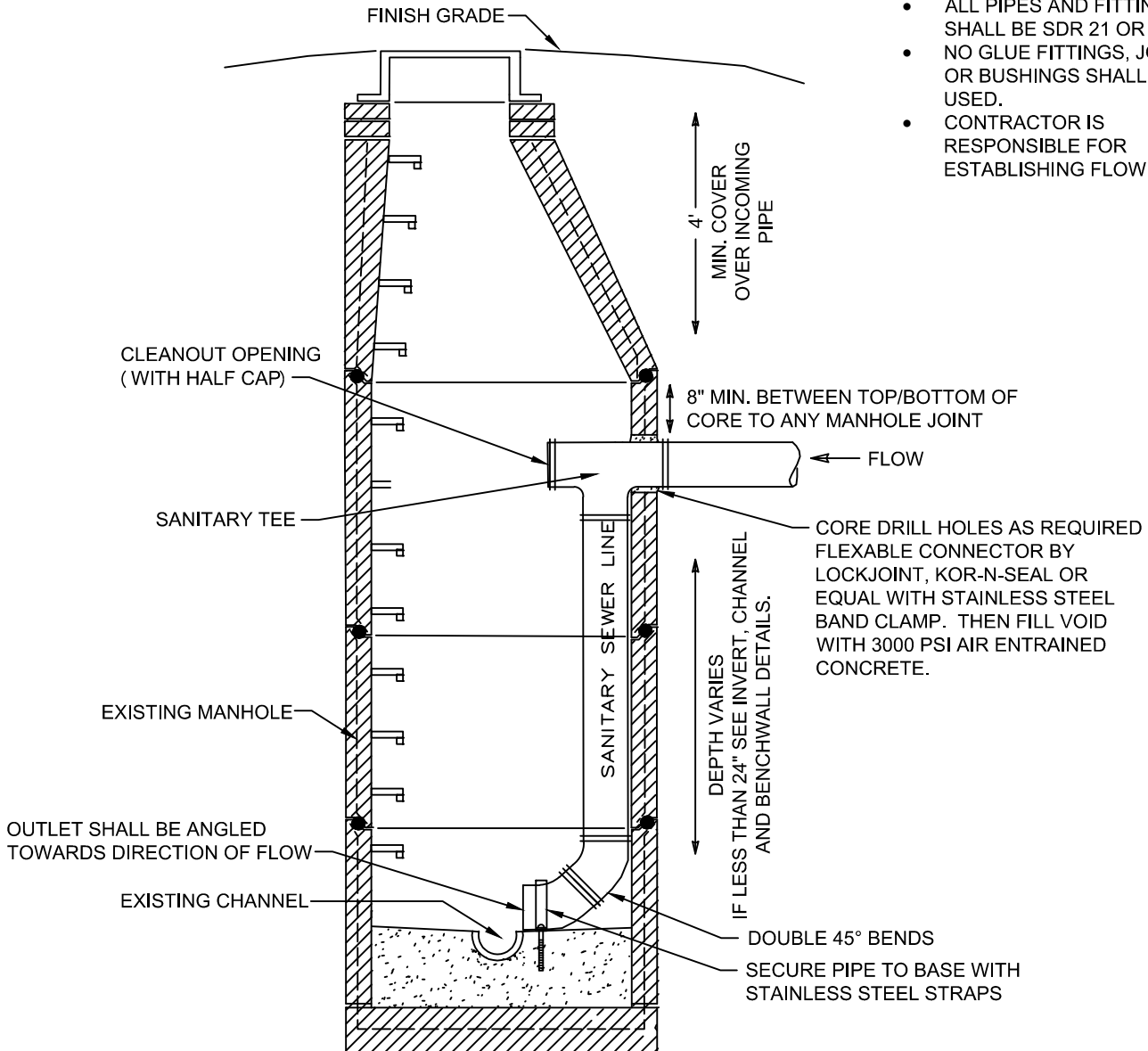
P.O. Box 550 Mechanicville, New York 12118
<http://www.saratogacountyny.gov/departments/sewer-district-1/>

Telephone: (518) 664-7396
Fax: (518) 664-6280

S:\AuroCAD\SCSD Details\UPDATED 2019\UPDATED DETAIL S 2-22-2019\Sanitary Gravity Manhole.dwg

NOTES:

- SECURE PIPE TO WALLS WITH STAINLESS STEEL STRAPS 4' ON CENTER.
- WOOD SHALL NOT BE USED.
- ALL PIPES AND FITTINGS SHALL BE SDR 21 OR SDR 26.
- NO GLUE FITTINGS, JOINTS OR BUSHINGS SHALL BE USED.
- CONTRACTOR IS RESPONSIBLE FOR ESTABLISHING FLOW.



GRAVITY SEWER DROP CONNECTION TO EXISTING SANITARY MANHOLE (S.C.S.D. #1)
 NOT TO SCALE

SARATOGA COUNTY SEWER DISTRICT #1
 RESERVES THE RIGHT, AT OUR DISCRETION, TO CHANGE, MODIFY, ADD OR REMOVE PORTIONS OF THESE DETAIL SPEC'S AT ANY TIME



SARATOGA COUNTY SEWER DISTRICT #1

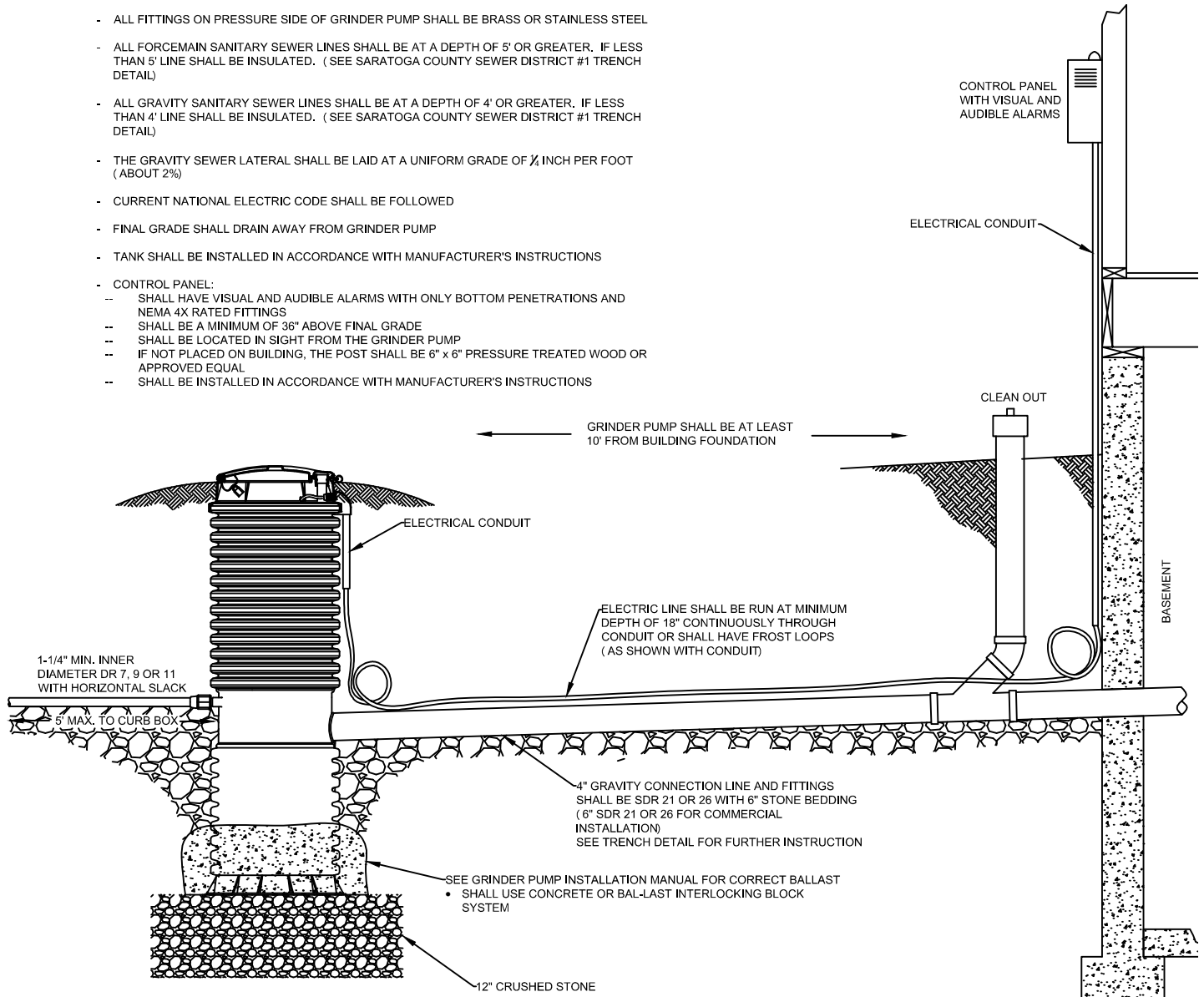
1002 HUDSON RIVER ROAD, MECHANICVILLE, NEW YORK

P.O. Box 550 Mechanicville, New York 12118
<http://www.saratogacountyny.gov/departments/sewer-district-1/>

Telephone: (518) 664-7396
 Fax: (518) 664-6280

NOTES:

- THE PROPERTY OWNER WILL OWN AND MAINTAIN THE GRINDER PUMP SYSTEM TO POINT OF CONNECTION INTO SEWER MAIN.
- CONTRACTOR IS RESPONSIBLE FOR ESTABLISHING FLOW AND FINAL GRINDER PUMP START UP
- ALL FITTINGS ON PRESSURE SIDE OF GRINDER PUMP SHALL BE BRASS OR STAINLESS STEEL
- ALL FORCEMAIN SANITARY SEWER LINES SHALL BE AT A DEPTH OF 5' OR GREATER. IF LESS THAN 5' LINE SHALL BE INSULATED. (SEE SARATOGA COUNTY SEWER DISTRICT #1 TRENCH DETAIL)
- ALL GRAVITY SANITARY SEWER LINES SHALL BE AT A DEPTH OF 4' OR GREATER, IF LESS THAN 4' LINE SHALL BE INSULATED. (SEE SARATOGA COUNTY SEWER DISTRICT #1 TRENCH DETAIL)
- THE GRAVITY SEWER LATERAL SHALL BE LAID AT A UNIFORM GRADE OF 1/4" INCH PER FOOT (ABOUT 2%)
- CURRENT NATIONAL ELECTRIC CODE SHALL BE FOLLOWED
- FINAL GRADE SHALL DRAIN AWAY FROM GRINDER PUMP
- TANK SHALL BE INSTALLED IN ACCORDANCE WITH MANUFACTURER'S INSTRUCTIONS
- CONTROL PANEL:
 - SHALL HAVE VISUAL AND AUDIBLE ALARMS WITH ONLY BOTTOM PENETRATIONS AND NEMA 4X RATED FITTINGS
 - SHALL BE A MINIMUM OF 36" ABOVE FINAL GRADE
 - SHALL BE LOCATED IN SIGHT FROM THE GRINDER PUMP
 - IF NOT PLACED ON BUILDING, THE POST SHALL BE 6" x 6" PRESSURE TREATED WOOD OR APPROVED EQUAL
 - SHALL BE INSTALLED IN ACCORDANCE WITH MANUFACTURER'S INSTRUCTIONS



GRINDER PUMP INSTALLATION
NOT TO SCALE

SARATOGA COUNTY SEWER DISTRICT #1
RESERVES THE RIGHT, AT OUR DISCRETION, TO
CHANGE, MODIFY, ADD OR REMOVE PORTIONS
OF THESE DETAIL SPEC'S AT ANY TIME



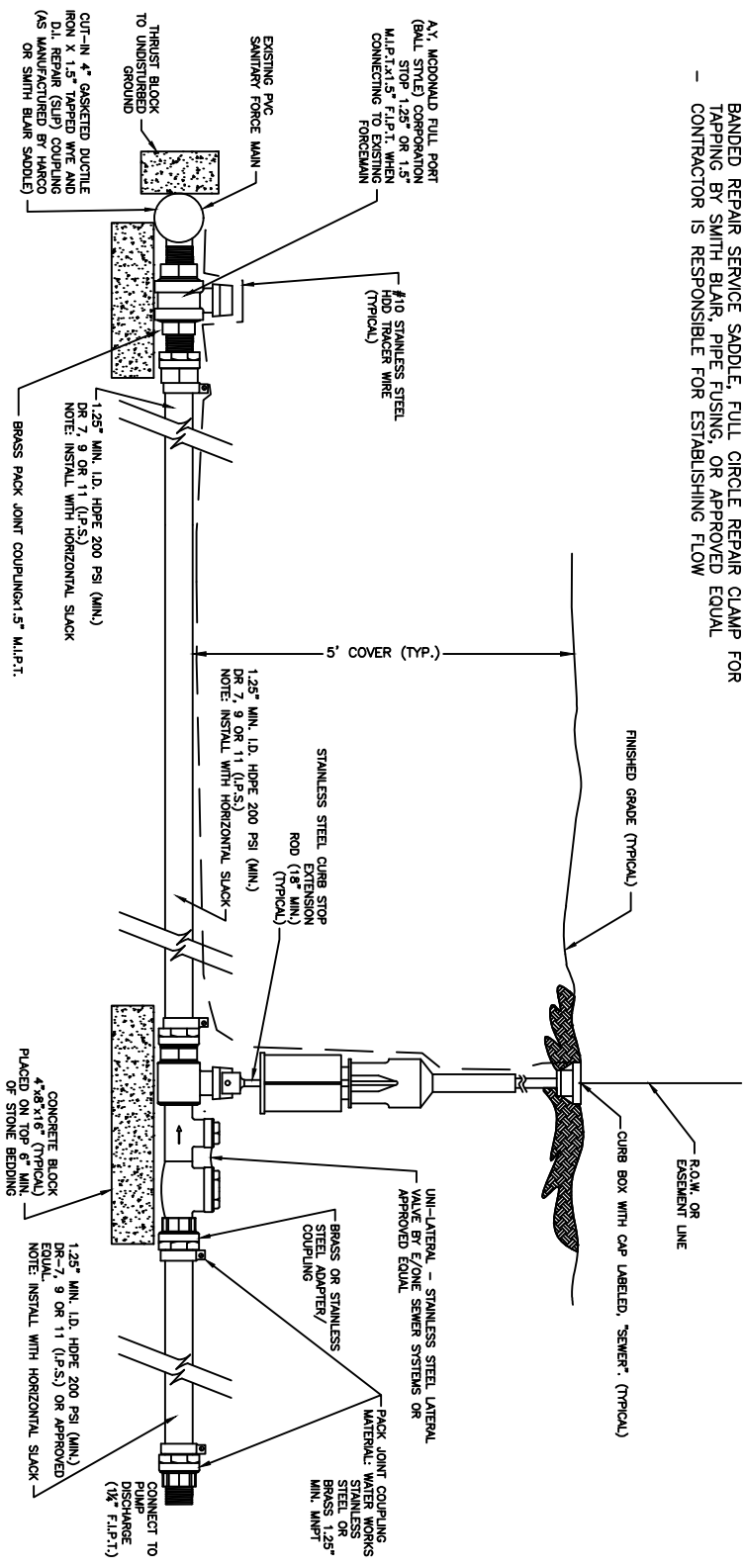
SARATOGA COUNTY SEWER DISTRICT #1

1002 HUDSON RIVER ROAD, MECHANICVILLE, NEW YORK

P.O. Box 550 Mechanicville, New York 12118
<http://www.saratogacountyny.gov/departments/sewer-district-1/>

Telephone: (518) 664-7396
Fax: (518) 664-6280

- NOTE:
- ALL COMPRESSION FITTINGS SHALL BE BRASS OR STAINLESS STEEL OR APPROVED EQUAL.
 - ALL CURB STOP EXTENSION RODS SHALL BE STAINLESS STEEL.
 - HDPE/POLY PIPE REQUIRES THE USE OF STAINLESS STEEL INSERT PIPE STIFFENERS FOR ALL PACK JOINT/COMPRESSION CONNECTIONS.
 - STAINLESS STEEL, BRASS, OR FUSED DRESSER COUPLINGS TO BE USED WHERE EXISTING LINE IS CUT FOR TEE.
 - ALL FORCEMAIN SANITARY SEWER LINES SHALL BE AT A DEPTH OF 5' OR GREATER. IF LESS THAN 5' LINE SHALL BE INSULATED. (SEE SARATOGA COUNTY SEWER DISTRICT #1 TRENCH DETAIL)
 - WHEN CONNECTING TO EXISTING FORCEMAIN, CURB STOP MUST BE PLACED AS CLOSE AS POSSIBLE TO EXISTING FORCEMAIN AND OUTSIDE OF PAVEMENT WITH VALVE BOX.
 - TIE-IN SADDLE TO BE STAINLESS STEEL BANDED TAPPING SLEEVE, BANDED REPAIR SERVICE SADDLE, FULL CIRCLE REPAIR CLAMP FOR TAPPING BY SMITH BLAIR, PIPE FUSING, OR APPROVED EQUAL.
 - CONTRACTOR IS RESPONSIBLE FOR ESTABLISHING FLOW



INDOOR GRINDER PUMP TO SANITARY FORCE MAIN CONNECTION
 NOT TO SCALE

SARATOGA COUNTY SEWER DISTRICT #1
 RESERVES THE RIGHT, AT OUR DISCRETION, TO
 CHANGE, MODIFY, ADD OR REMOVE PORTIONS
 OF THESE DETAIL SPEC'S AT ANY TIME

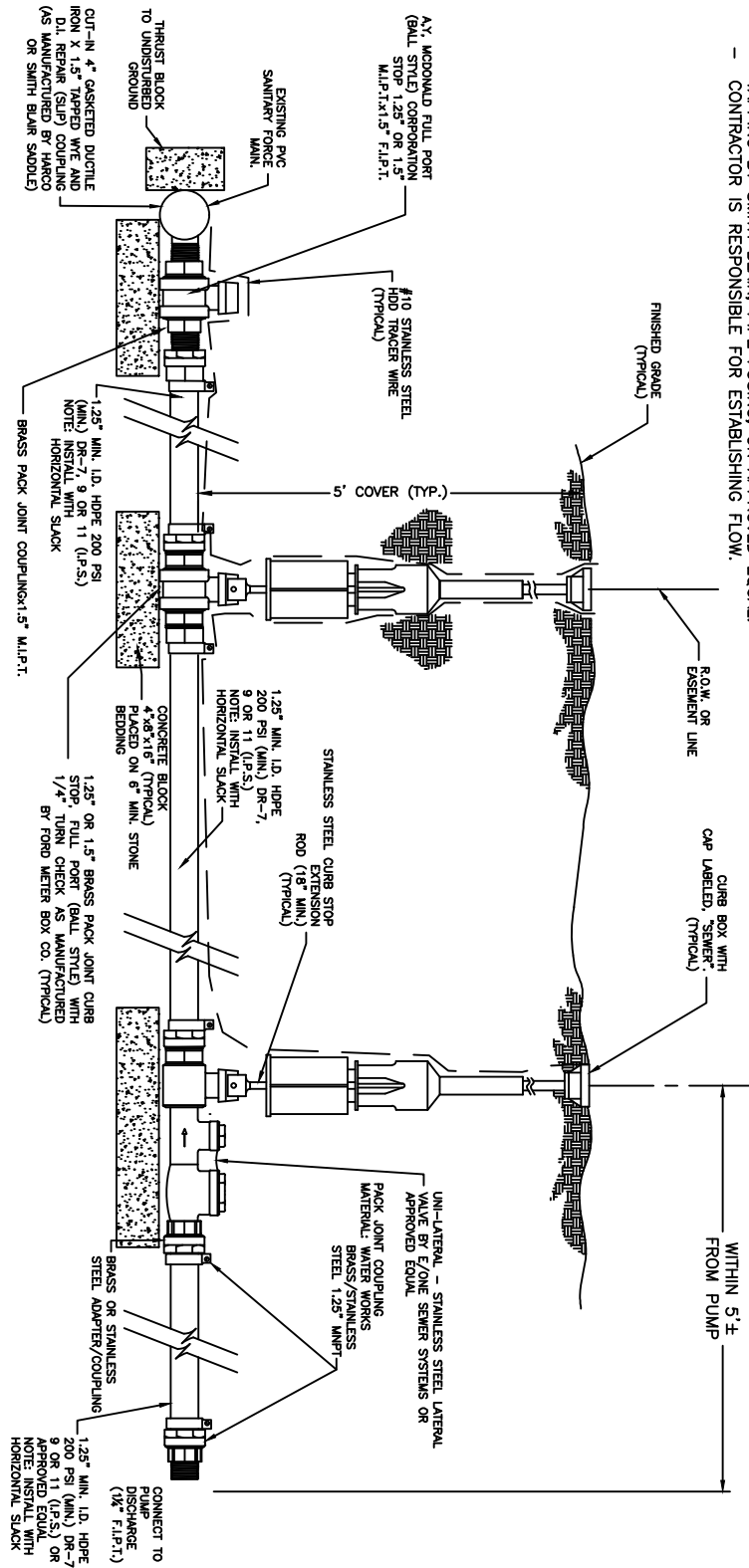


SARATOGA COUNTY SEWER DISTRICT #1
 1002 HUDSON RIVER ROAD, MECHANICVILLE, NEW YORK

P.O. Box 550 Mechanicville, New York 12118
<http://www.saratogacountyny.gov/departments/sewer-district-1/>

Telephone: (518) 664-7396
 Fax: (518) 664-6280

- NOTE:
- GRINDER PUMP MUST BE AT LEAST 10 FEET FROM FOUNDATION.
 - ALL COMPRESSION FITTINGS WILL BE BRASS OR STAINLESS STEEL OR APPROVED EQUAL.
 - ALL CURB STOP EXTENSION RODS SHALL BE STAINLESS STEEL.
 - HOPE/POLY PIPE REQUIRES THE USE OF STAINLESS STEEL INSERT PIPE STIFFENERS FOR ALL PACK JOINT/COMPRESSION CONNECTIONS.
 - STAINLESS STEEL, BRASS, OR FUSED DRESSER COUPLINGS TO BE USED WHERE EXISTING LINE IS CUT FOR TEE.
 - ALL FORCEMAIN SANITARY SEWER LINES SHALL BE AT A DEPTH OF 5' OR GREATER. IF LESS THAN 5' LINE SHALL BE INSULATED. (SEE SARATOGA COUNTY SEWER DISTRICT #1 TRENCH DETAIL).
 - WHEN CONNECTING TO EXISTING FORCEMAIN, CURB STOP MUST BE PLACED AS CLOSE AS POSSIBLE TO EXISTING FORCEMAIN AND OUTSIDE OF PAVEMENT WITH VALVE BOX.
 - TIE-IN SADDLE TO BE STAINLESS STEEL BANDED TAPPING SLEEVE, BANDED REPAIR SERVICE SADDLE, FULL CIRCLE REPAIR CLAMP FOR TAPPING BY SMITH BLAIR, PIPE FUSING, OR APPROVED EQUAL.
 - CONTRACTOR IS RESPONSIBLE FOR ESTABLISHING FLOW.



OUTDOOR GRINDER PUMP TO SANITARY FORCE MAIN CONNECTION

NOT TO SCALE

SARATOGA COUNTY SEWER DISTRICT #1
RESERVES THE RIGHT, AT OUR DISCRETION, TO
CHANGE, MODIFY, ADD OR REMOVE PORTIONS
OF THESE DETAIL SPEC'S AT ANY TIME

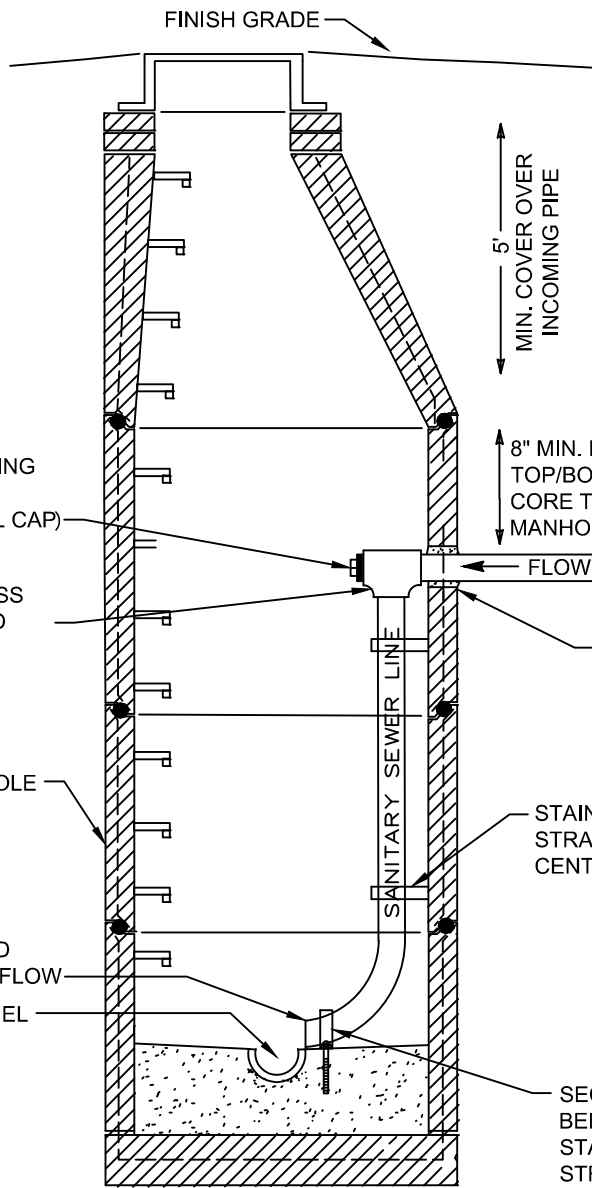


SARATOGA COUNTY SEWER DISTRICT #1

1002 HUDSON RIVER ROAD, MECHANICVILLE, NEW YORK

P.O. Box 550 Mechanicville, New York 12118
http://www.saratogacountyny.gov/departments/sewer-district-1/

Telephone: (518) 664-7396
Fax: (518) 664-6280



- NOTES:**
- SECURE PIPE TO WALLS WITH STAINLESS STEEL STRAPS 4' ON CENTER.
 - WOOD SHALL NOT BE USED.
 - SANITARY FORCEMAIN SHALL BE DR-9 OR DR 11 HDPE 200 PSI (MINIMUM)
 - NO GLUE FITTINGS, JOINTS OR BUSHINGS SHALL BE USED
 - FITTINGS SHALL BE BRASS STAINLESS STEEL OR FUSED

CLEANOUT OPENING
(WITH BRASS OR STAINLESS STEEL CAP)

BRASS, STAINLESS STEEL OR FUSED SANITARY TEE

EXISTING MANHOLE

OUTLET SHALL BE ANGLED TOWARDS DIRECTION OF FLOW

EXISTING CHANNEL

MIN. COVER OVER INCOMING PIPE
5'

8" MIN. BETWEEN TOP/BOTTOM OF CORE TO ANY MANHOLE JOINT

FLOW

CORE DRILL HOLE IN EXISTING MANHOLE WALL AND INSTALL FLEXIBLE BOOT BY KOR-N-SEAL OR APPROVED EQUAL. FILL VOID WITH 3000PSI AIR ENTRAINED CONCRETE

STAINLESS STEEL STRAPS 4' ON CENTER

SECURE PIPE TO BENCH WITH STAINLESS STEEL STRAPS

 PRESSURE SEWER DROP CONNECTION TO EXISTING SANITARY MANHOLE (S.C.S.D. #1)
NOT TO SCALE

SARATOGA COUNTY SEWER DISTRICT #1
RESERVES THE RIGHT, AT OUR DISCRETION, TO CHANGE, MODIFY, ADD OR REMOVE PORTIONS OF THESE DETAIL SPEC'S AT ANY TIME



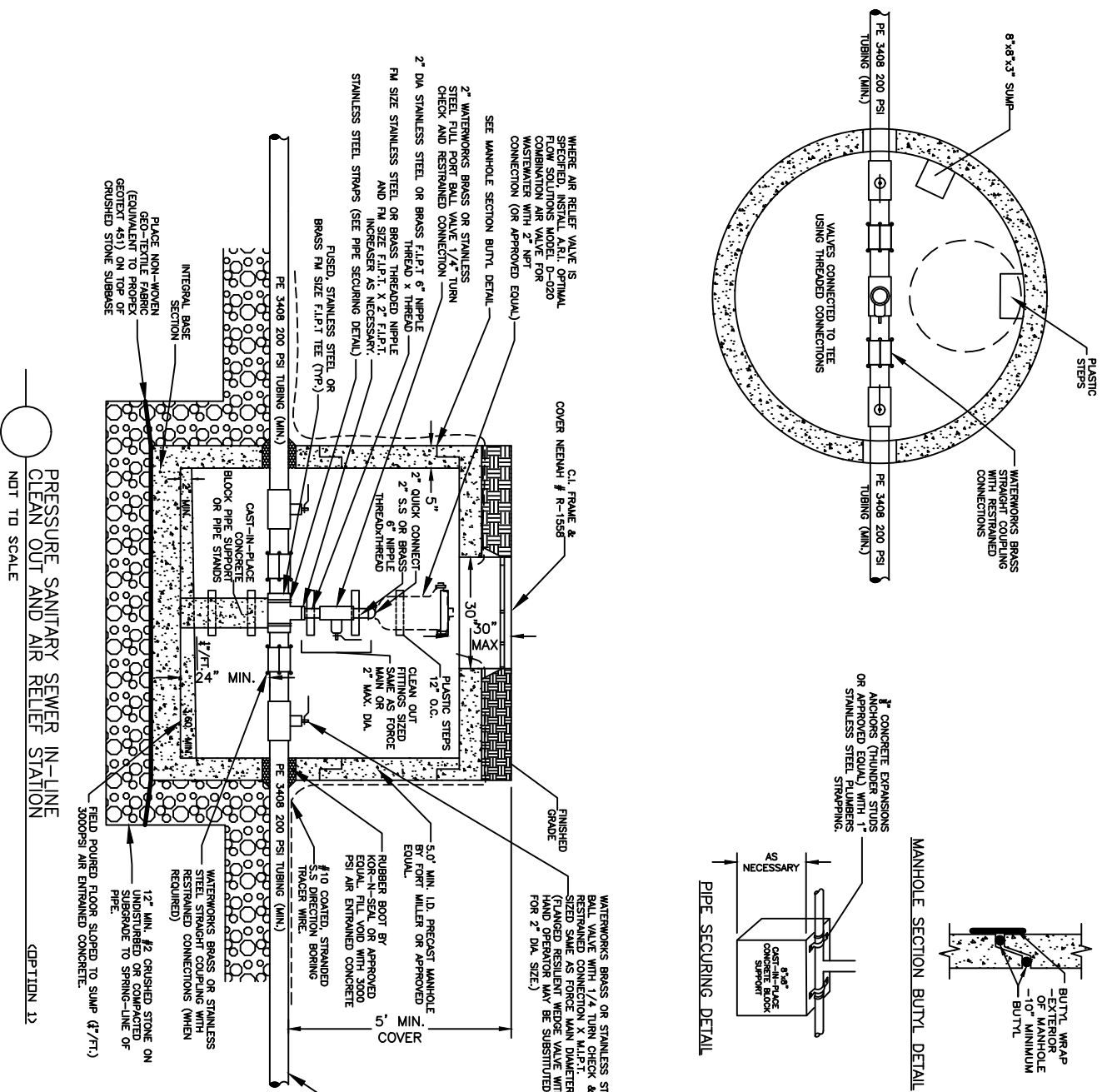
SARATOGA COUNTY SEWER DISTRICT #1

1002 HUDSON RIVER ROAD, MECHANICVILLE, NEW YORK

P.O. Box 550 Mechanicville, New York 12118
<http://www.saratogacountyny.gov/departments/sewer-district-1/>

Telephone: (518) 664-7396
Fax: (518) 664-6280

s:\AutoCAD\ISCD Details\UPDATED 2019\UPDATED DETAILS 2-22-2019\Pressure Sewer Drop Connection To Existing Sanitary Manhole.dwg



WHERE AIR RELIEF VALVE IS SPECIFIED, INSTALL A.R.L. OPTIMAL FLOW SOLUTIONS MODEL DR-200 WASTEWATER WITH 2" NPT CONNECTION (OR APPROVED EQUIV.)

SEE MANHOLE SECTION BUTYL DETAIL

2" WATERWORKS BRASS OR STAINLESS STEEL FULL PORT BALL VALVE 1/4" TURN

2" DIA STAINLESS STEEL OR BRASS FLIPT 6" NIPPLE

FM SIZE STAINLESS STEEL OR BRASS THREADED NIPPLE AND FM SIZE FLIPT. X 2" FLIPT. INCREASE AS NECESSARY.

STAINLESS STEEL STRAPS (SEE PIPE SECURING DETAIL)

FUSED, STAINLESS STEEL OR BRASS FM SIZE FLIPT TEE (TYP)

PE 3408 200 PSI TUBING (MIN.)

CAST-IN-PLACE CONCRETE BLOCK PIPE SUPPORT OR PIPE STRAPS

2" MIN. INTEGRAL BASE SECTION

PLACE NON-WOVEN GEO-TEXTILE FABRIC (EQUIVALENT TO PROPEK GEOTEXT 451) ON TOP OF CRUSHED STONE SUBBASE

COVER NEIGH # R-1558

C.I. FRAME & ANCHORS (CILIINDER STUDS OR APPROVED EQUIV.) WITH 1" STAINLESS STEEL FLUMBERS STRAPPING.

30" MAX

5"

2" QUICK CONNECT

2" S.S. OR BRASS THREADED

2" MAX. DIA. CLEAN OUT FITTINGS SIZED TO MATCH OR FORCE

PLASTIC STEPS

FINISHED GRADE

WATERWORKS BRASS OR STAINLESS STEEL FULL PORT SS BALL VALVE WITH 1/4" TURN CHECK & RESTRAINED CONNECTION X ALP.P.N. SIZED SAME AS FORCE MAIN DIAMETER. (FLANGED RESILIENT WEDGE VALVE WITH HAND OPERATOR MAY BE SUBSTITUED FOR 2" DIA. SIZE.)

50' MIN. I.D. PRECAST MANHOLE BRICK MILLER OR APPROVED EQUIV.

RUBBER BOOT BY KOR-N-SEAL OR APPROVED EQUAL. FILL VOID WITH 3000 PSI AIR ENTRAINED CONCRETE

410 COATED STRAPPED 5/8 S.S. DIRECTOR BORING TRACER WIRE

12" MIN. #2 CRUSHED STONE ON UNDISTURBED OR COMPACTED SUBGRADE TO SPINNING-LINE OF PIPE.

FIELD POURED FLOOR SLOPED TO SUMP (47/FT.)

WATERWORKS BRASS OR STAINLESS STEEL STRAIGHT COUPLING WITH RESTRAINED CONNECTIONS (WHEN REQUIRED)

WATERWORKS BRASS STRAIGHT COUPLING WITH RESTRAINED CONNECTIONS

8"x8"x3" SUMP

PE 3408 200 PSI TUBING (MIN.)

PE 3408 200 PSI TUBING (MIN.)

VALVES CONNECTED TO TEE USING THREADED CONNECTIONS

PLASTIC STEPS

MANHOLE SECTION BUTYL DETAIL

PIPE SECURING DETAIL

MANHOLE SECTION BUTYL DETAIL

8"x8" CAST-IN-PLACE CONCRETE BLOCK PIPE SUPPORT

BUTYL WRAP - EXTERIOR OF MANHOLE - TO MINIMUM BUTYL

CONCRETE EXPANSIONS ANCHORS (CILIINDER STUDS OR APPROVED EQUIV.) WITH 1" STAINLESS STEEL FLUMBERS STRAPPING.

NECESSARY

NOT TO SCALE

PRESSURE SANITARY SEWER IN-LINE CLEAN OUT AND AIR RELIEF STATION

CAPTION 12

- NOTES:
- CONTRACTOR TO PROVIDE ADEQUATE PROTECTION TO EXISTING UTILITIES TO BE MAINTAINED AS SHOWN PRIOR TO ORDERING STRUCTURES.
 - HPE/POLY PIPE REQUIRES THE USE OF STAINLESS STEEL INSERT PIPE STRIPPERS FOR ALL PIPES.
 - MINIMUM STAINLESS STEEL INSERT MANHOLE SHIMS BE VACUUM TESTED PRIOR TO BACKFILL FOR SCSD #1 STANDARDS AND SPECIFICATIONS.
 - PRIVATE SEWER LATERALS SHALL NOT BE CONNECTED TO MAIN SEWER LINE INSIDE STRUCTURE.
 - LINE INSIDE STRUCTURE SHALL BE A MINIMUM OF 1-1/4" DIA.
 - RESTRAINED TUBING CONNECTION SHALL BE GRIP-RING OR PACK JOINT TYPE OR APPROVED EQUAL.
 - ALL OFF-SITE MANHOLES SHALL BE PROTECTED BY CONSTRUCTION PER SCSD #1 PROTECTION SYSTEM PER SCSD #1 CONTRACTOR IS RESPONSIBLE FOR ESTABLISHING FLOW.
 - SANITARY FORCE MAIN SHALL BE DR-9 OR DR-11

SARATOGA COUNTY SEWER DISTRICT #1 RESERVES THE RIGHT, AT OUR DISCRETION, TO CHANGE, MODIFY, ADD OR REMOVE PORTIONS OF THESE DETAIL SPEC'S AT ANY TIME

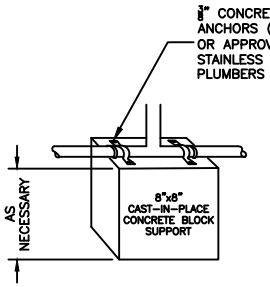


SARATOGA COUNTY SEWER DISTRICT #1

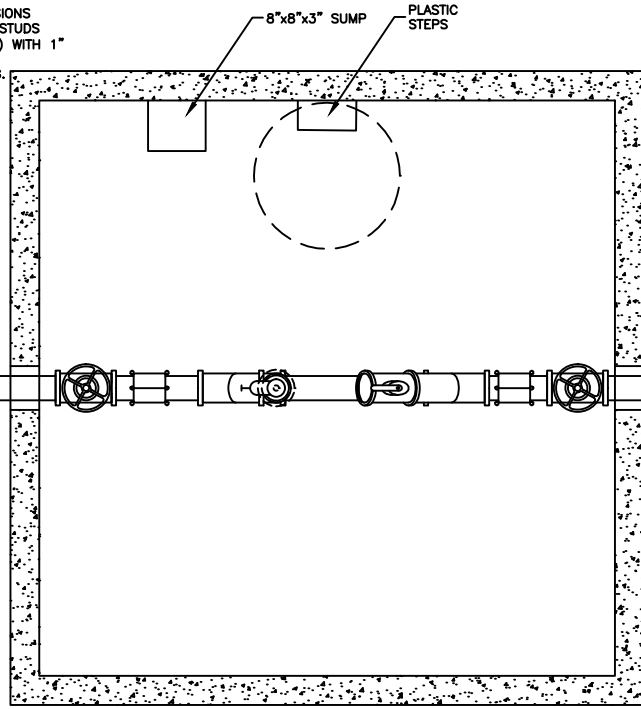
1002 HUDSON RIVER ROAD, MECHANICVILLE, NEW YORK

P.O. Box 550 Mechanicville, New York 12118
<http://www.saratogacountyny.gov/departments/sewer-district-1/>

Telephone: (518) 664-7396
 Fax: (518) 664-6280

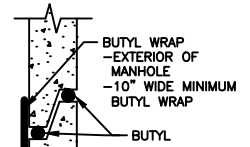


PIPE SECURING DETAIL

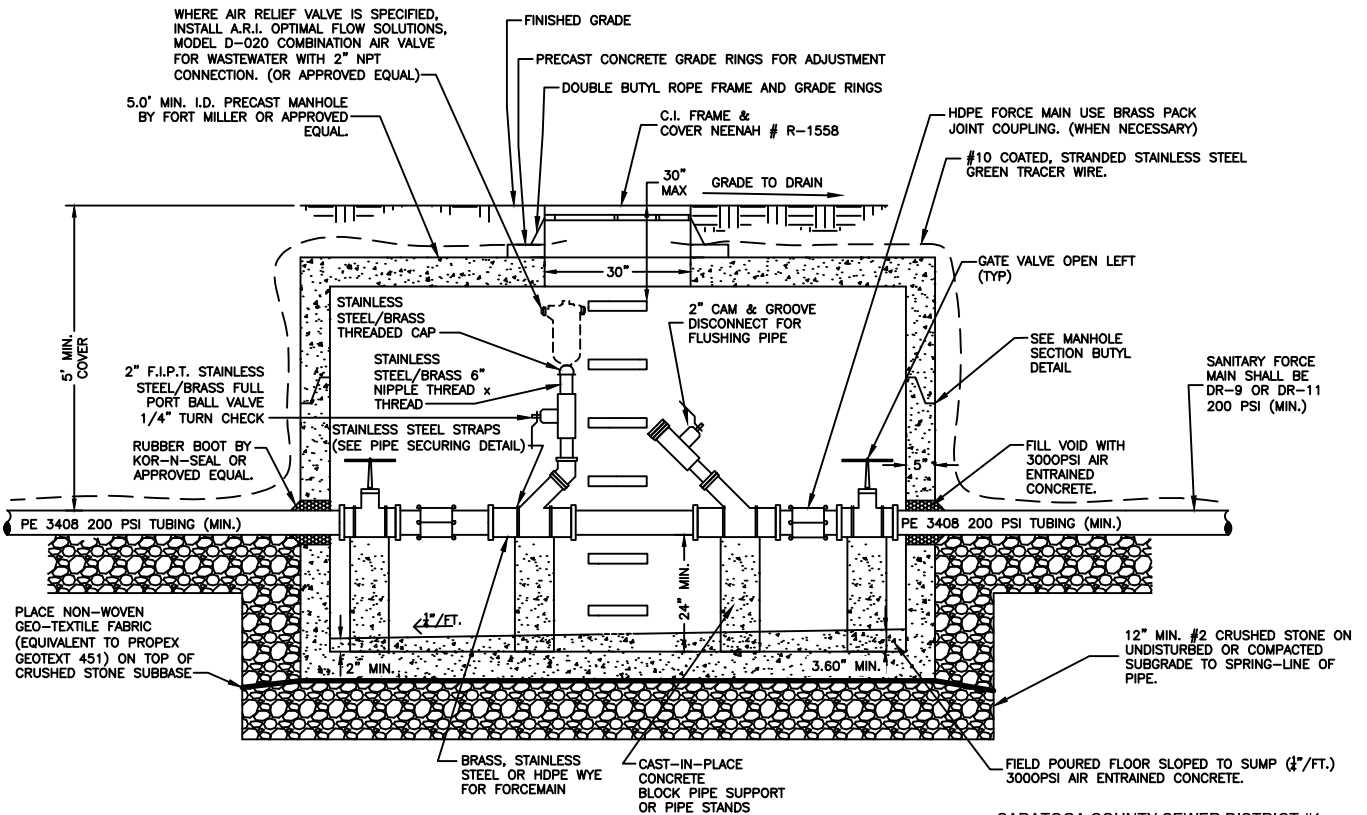


NOTES:

- CONTRACTOR TO CONFIRM ADEQUATE SPACE WITHIN MANHOLE STRUCTURE TO COMPLETE ALL FITTINGS AND APPURTENANCES AS SHOWN PRIOR TO ORDERING STRUCTURES.
- HDPE/POLY PIPE REQUIRES THE USE OF STAINLESS STEEL INSERT PIPE STIFFENERS FOR ALL PACK JOINT/COMPRESSION CONNECTIONS.
- MANHOLE SHALL BE VACUUM TESTED PRIOR TO BACKFILL FOR SCSD #1 STANDARDS AND SPECIFICATIONS
- PRIVATE SEWER LATERALS SHALL NOT BE CONNECTED TO MAIN SEWER LINE INSIDE STRUCTURE
- INNER DIAMETER OF TUBING SHALL BE A MINIMUM OF 1-1/4"
- RESTRAINED TUBING CONNECTION SHALL BE GRIP-RING OR PACK JOINT TYPE OR APPROVED EQUAL
- ALL OFF-SITE MANHOLES SHALL BE MARKED WITH RHINO MARKING PROTECTION SYSTEM PER SCSD #1
- CONTRACTOR IS RESPONSIBLE FOR ESTABLISHING FLOW



MANHOLE SECTION BUTYL DETAIL



PRESSURE SANITARY SEWER IN-LINE CLEAN OUT AND AIR RELIEF STATION

NOT TO SCALE

(OPTION 2)

SARATOGA COUNTY SEWER DISTRICT #1 RESERVES THE RIGHT, AT OUR DISCRETION, TO CHANGE, MODIFY, ADD OR REMOVE PORTIONS OF THESE DETAIL SPEC'S AT ANY TIME

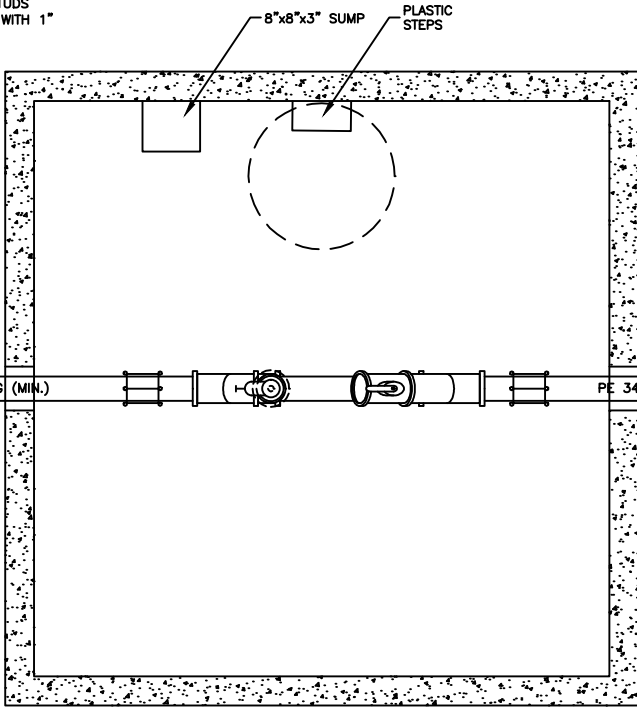
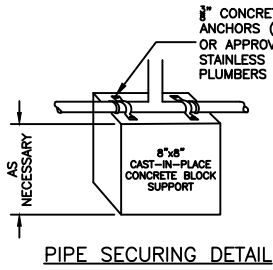


SARATOGA COUNTY SEWER DISTRICT #1

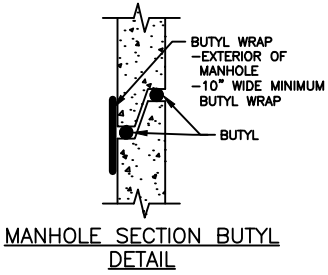
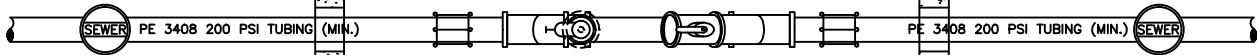
1002 HUDSON RIVER ROAD, MECHANICVILLE, NEW YORK

P.O. Box 550 Mechanicville, New York 12118
<http://www.saratogacountyny.gov/departments/sewer-district-1/>

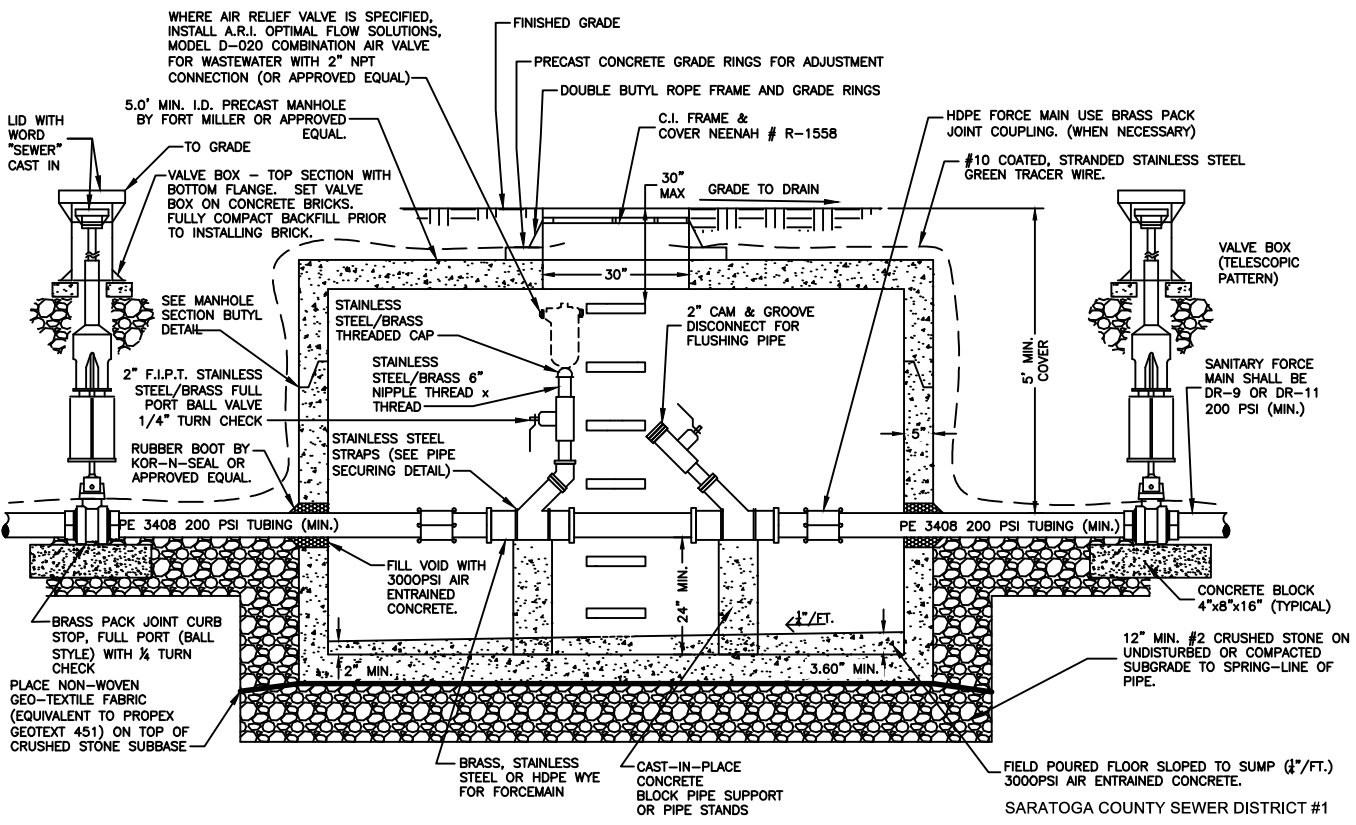
Telephone: (518) 664-7396
 Fax: (518) 664-6280



- NOTES:**
- CONTRACTOR TO CONFIRM ADEQUATE SPACE WITHIN MANHOLE STRUCTURE TO COMPLETE ALL FITTINGS AND APPURTENANCES AS SHOWN PRIOR TO ORDERING STRUCTURES.
 - HDPE/POLY PIPE REQUIRES THE USE OF STAINLESS STEEL INSERT PIPE STIFFENERS FOR ALL PACK JOINT/COMPRESSION CONNECTIONS.
 - MANHOLE SHALL BE VACUUM TESTED PRIOR TO BACKFILL FOR SCSD #1 STANDARDS AND SPECIFICATIONS
 - PRIVATE SEWER LATERALS SHALL NOT BE CONNECTED TO MAIN SEWER LINE INSIDE STRUCTURE
 - INNER DIAMETER OF TUBING SHALL BE A MINIMUM OF 1-1/4"
 - RESTRAINED TUBING CONNECTION SHALL BE GRIP-RING OR PACK JOINT TYPE OR APPROVED EQUAL
 - ALL OFF-SITE MANHOLES SHALL BE MARKED WITH RHINO MARKING PROTECTION SYSTEM PER SCSD #1
 - CONTRACTOR IS RESPONSIBLE FOR ESTABLISHING FLOW



WHERE AIR RELIEF VALVE IS SPECIFIED, INSTALL A.R.I. OPTIMAL FLOW SOLUTIONS, MODEL D-020 COMBINATION AIR VALVE FOR WASTEWATER WITH 2" NPT CONNECTION (OR APPROVED EQUAL)



PRESSURE SANITARY SEWER IN-LINE CLEAN OUT AND AIR RELIEF STATION (OPTION 3)

SARATOGA COUNTY SEWER DISTRICT #1 RESERVES THE RIGHT, AT OUR DISCRETION, TO CHANGE, MODIFY, ADD OR REMOVE PORTIONS OF THESE DETAIL SPEC'S AT ANY TIME



SARATOGA COUNTY SEWER DISTRICT #1

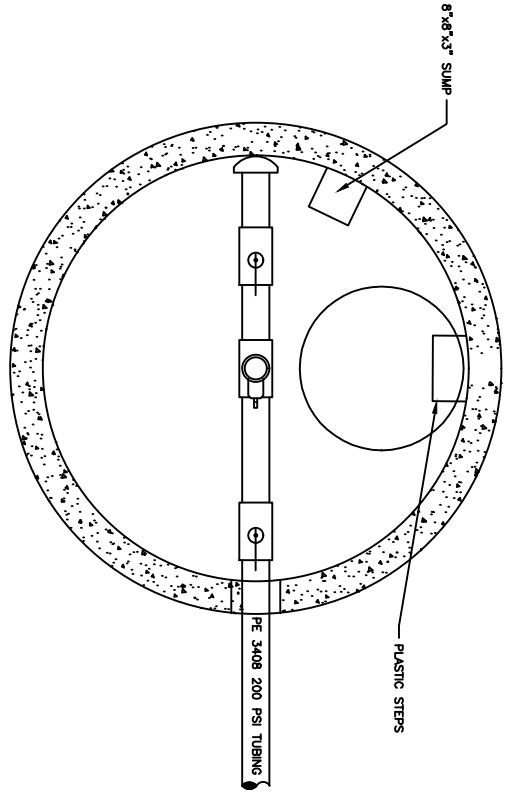
1002 HUDSON RIVER ROAD, MECHANICVILLE, NEW YORK

P.O. Box 550 Mechanicville, New York 12118
<http://www.saratogacountyny.gov/departments/sewer-district-1/>

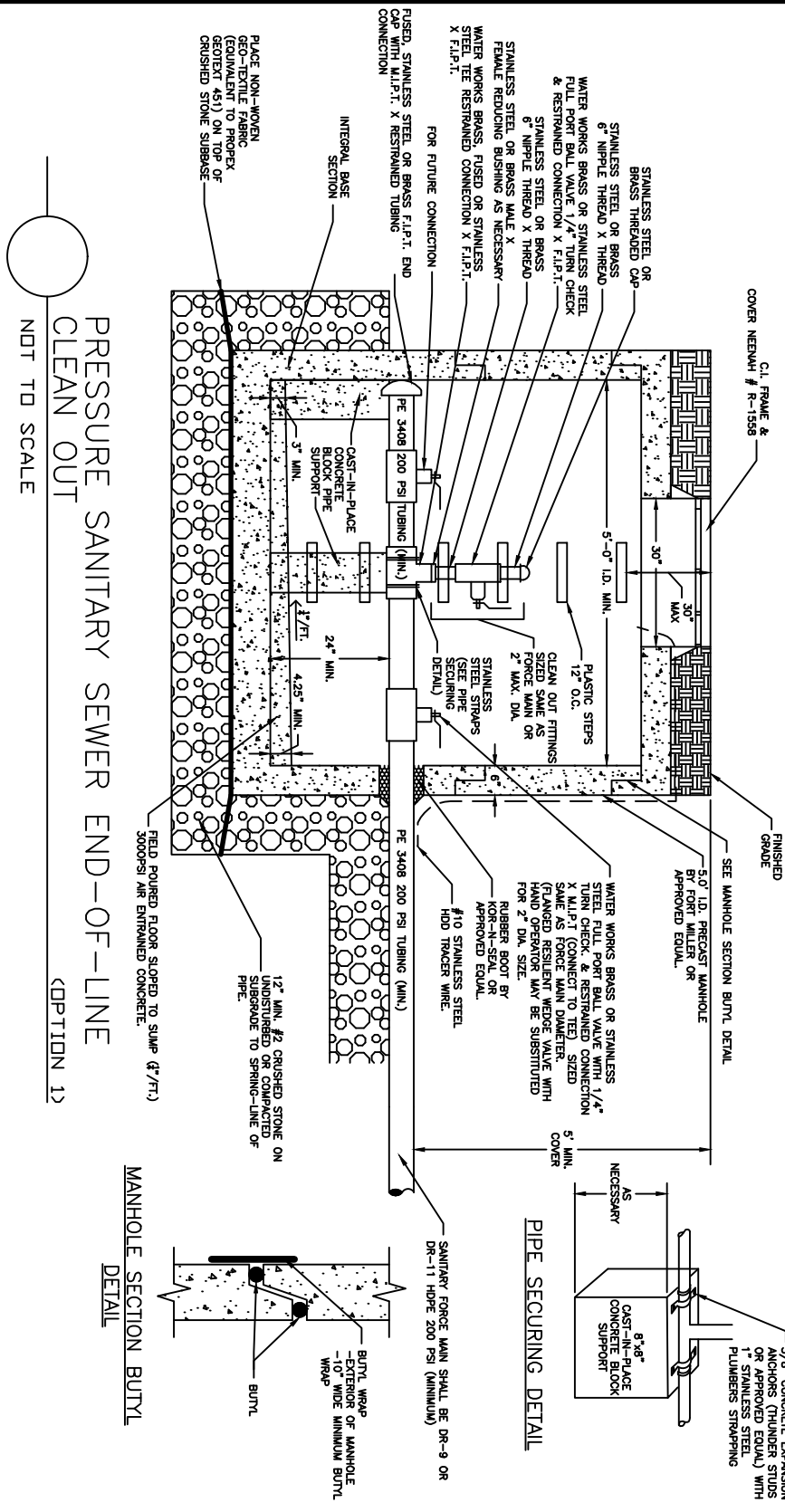
Telephone: (518) 664-7396
 Fax: (518) 664-6280

S:\AuroCAD\SCSD Details\UPDATED 2018\UPDATED 2018\Pressure Sanitary Sewer In-line Cleanout and Air Relief - Option 3.dwg

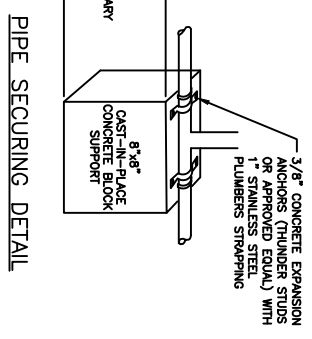
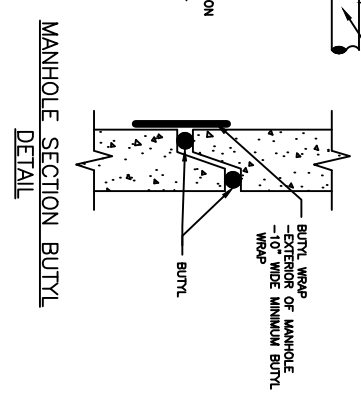
SARATOGA COUNTY SEWER DISTRICT #1 RESERVES THE RIGHT, AT OUR DISCRETION, TO CHANGE, MODIFY, ADD OR REMOVE PORTIONS OF THESE DETAIL SPECS AT ANY TIME



- NOTES:**
- CONTRACTOR TO CONFIRM ADEQUATE SPACE WITHIN MANHOLE STRUCTURE TO COMPLETE ALL FITTINGS AND APPURTENANCES AS SHOWN PRIOR TO ORDERING STRUCTURES.
 - HDPE/POLY PIPE REQUIRES THE USE OF STAINLESS STEEL INSERT PIPE STIFFENERS FOR ALL PACK JOINT/COMPRESSION CONNECTIONS.
 - MANHOLE SHALL BE VACUUM TESTED PRIOR TO BACKFILL FOR SCSD #1 STANDARDS AND SPECIFICATIONS
 - PRIVATE SEWER LATERALS SHALL NOT BE CONNECTED TO MAIN SEWER LINE INSIDE STRUCTURE
 - INNER DIAMETER OF TUBING SHALL BE A MINIMUM OF 1-1/4"
 - RESTRAINED TUBING CONNECTION SHALL BE GRIP-RING OR PACK JOINT TYPE OR APPROVED EQUAL
 - ALL OFF-SITE MANHOLES SHALL BE MARKED WITH RHINO MARKING PROTECTION SYSTEM PER SCSD #1
 - CONTRACTOR IS RESPONSIBLE FOR ESTABLISHING FLOW



PRESSURE SANITARY SEWER END-OF-LINE CLEAN OUT
 NDT TO SCALE
 (OPTION 1)

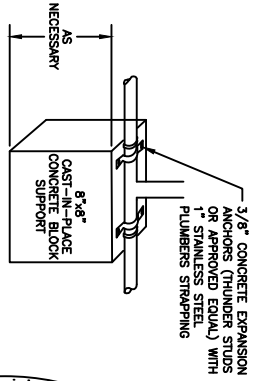


SARATOGA COUNTY SEWER DISTRICT #1

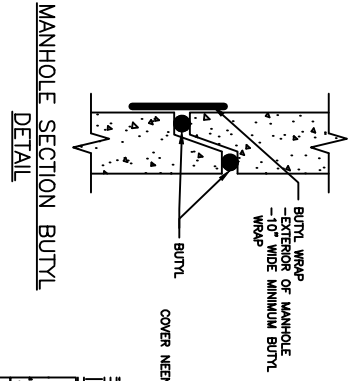
1002 HUDSON RIVER ROAD, MECHANICVILLE, NEW YORK

P.O. Box 550 Mechanicville, New York 12118
<http://www.saratogacountyny.gov/departments/sewer-district-1/>

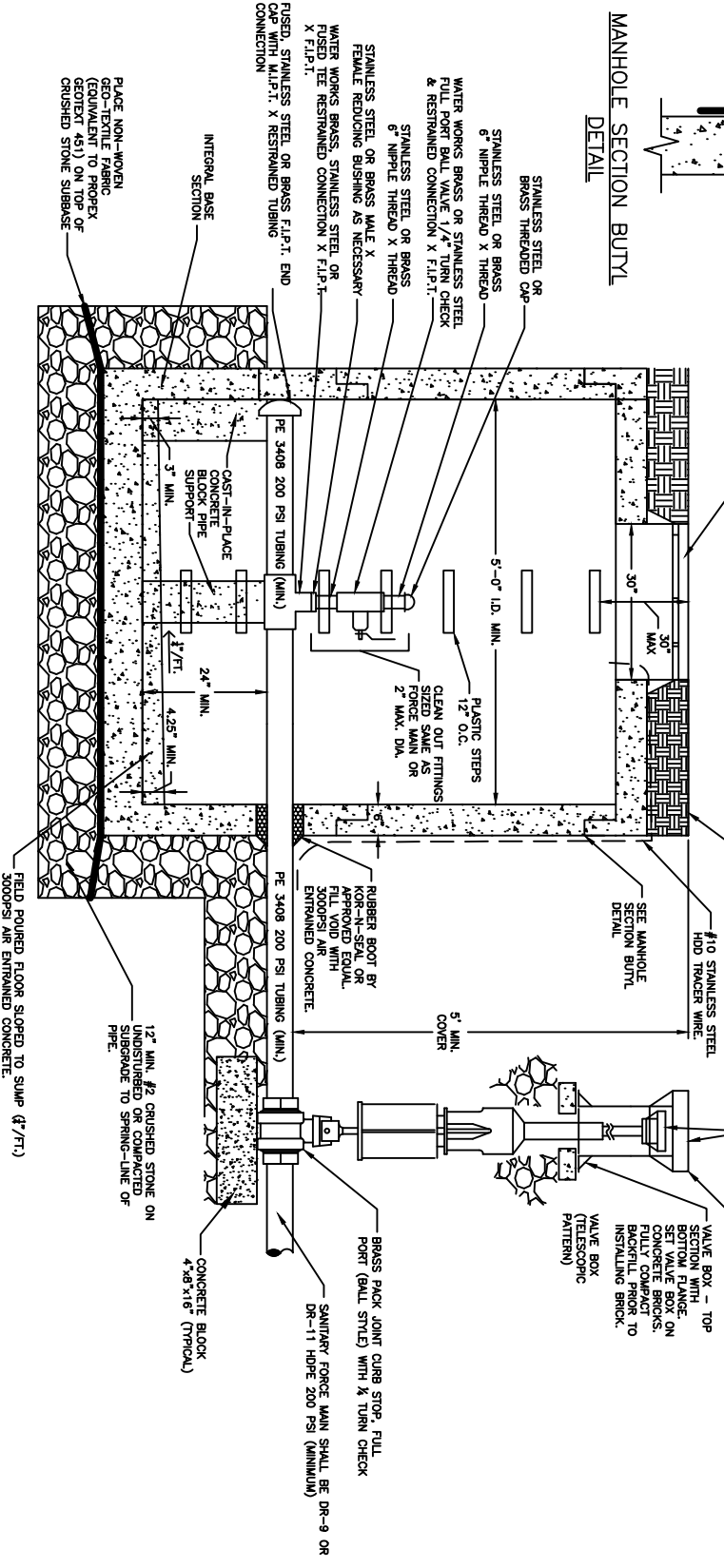
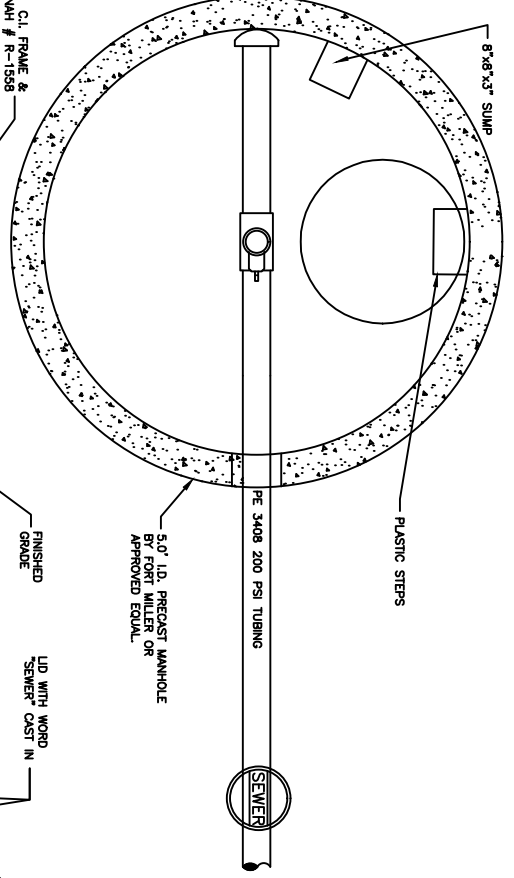
Telephone: (518) 664-7396
 Fax: (518) 664-6280



PIPE SECURING DETAIL



MANHOLE SECTION BUTYL DETAIL



- NOTES:
- CONTRACTOR TO CONFIRM ADEQUATE SPACE WITHIN MANHOLE STRUCTURE TO COMPLETE ALL FITTINGS AND APPURTENANCES AS SHOWN PRIOR TO ORDERING STRUCTURES.
 - TRENCH/PIPE REQUIRE THE USE OF STAINLESS STEEL/PAINT FREE STRAPPING FOR ALL PACK JOINT/COMPRESSION CONNECTIONS.
 - MANHOLE SHALL BE VACUUM TESTED PRIOR TO BACKFILL FOR SCSO #1 STANDARDS AND SPECIFICATIONS.
 - PRIVATE SEWER LATERALS SHALL NOT BE CONNECTED TO SEWER MAINS.
 - INNER DIAMETER OF TUBING SHALL BE A MINIMUM OF 1-1/4\".
 - RESTRAINED TUBING CONNECTION SHALL BE GRIP-RING OR PACK JOINT TYPE OR APPROVED EQUAL.
 - EQUAL-FIT SITE MANHOLES SHALL BE MARKED WITH PLAIN HARLING PROTECTION STEEL PER SCSO #1 CONTRACTOR IS RESPONSIBLE FOR ESTABLISHING FLOW.

PRESSURE SANITARY SEWER END-OF-LINE
 CLEAN OUT
 NOT TO SCALE
 (OPTION 2)

SARATOGA COUNTY SEWER DISTRICT #1
 RESERVES THE RIGHT, AT OUR DISCRETION, TO
 CHANGE, MODIFY, ADD OR REMOVE PORTIONS
 OF THESE DETAIL SPECS. AT ANY TIME



SARATOGA COUNTY SEWER DISTRICT #1

1002 HUDSON RIVER ROAD, MECHANICVILLE, NEW YORK

P.O. Box 550 Mechanicville, New York 12118
<http://www.saratogacountyny.gov/departments/sewer-district-1/>

Telephone: (518) 664-7396
 Fax: (518) 664-6280