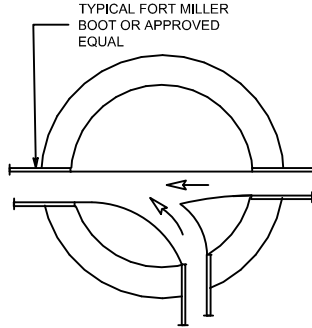


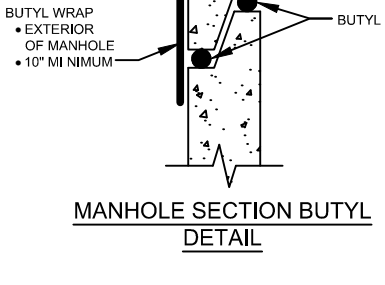
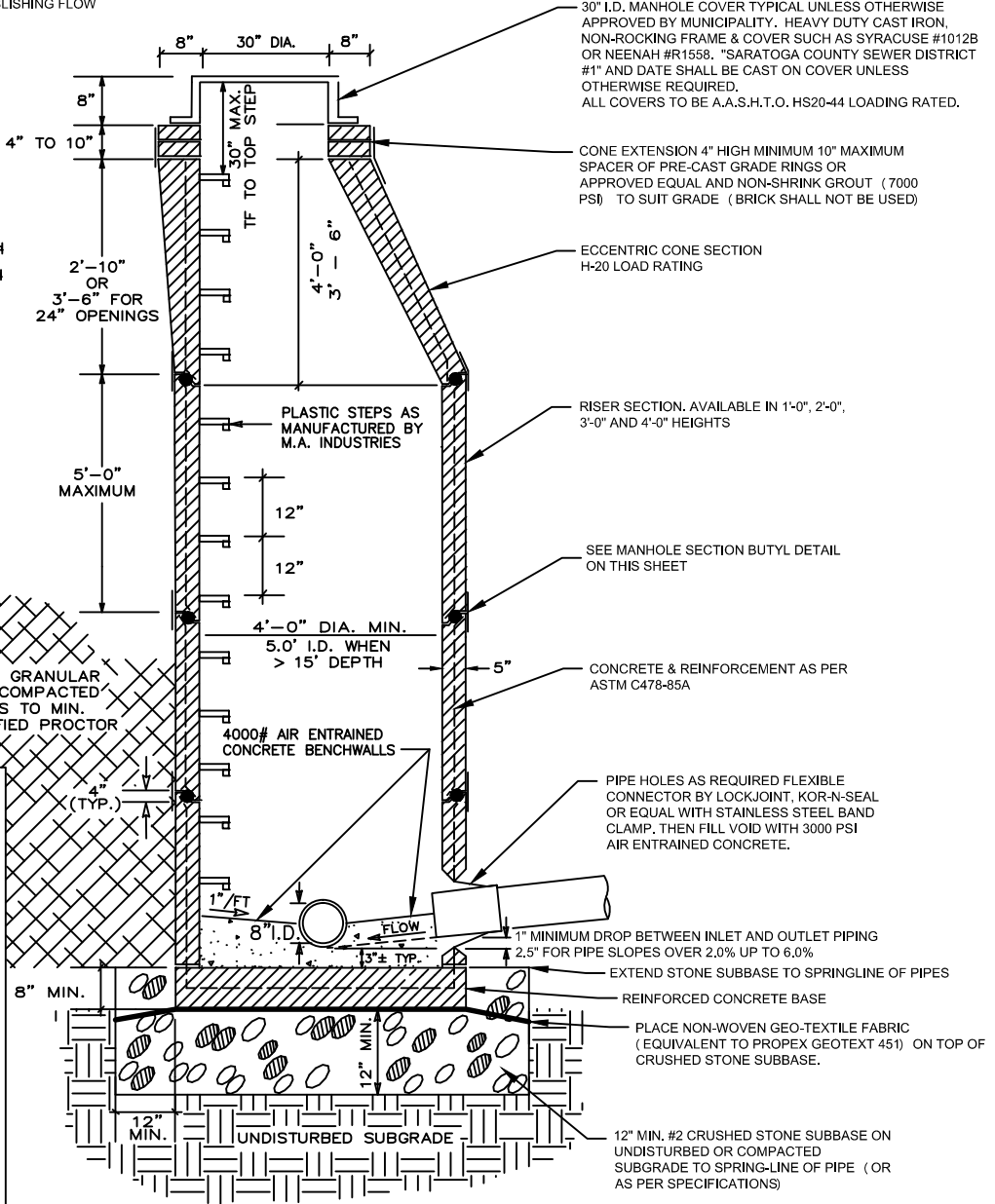
NOTES:

- PRECAST CONCRETE MANHOLE SECTIONS AS MANUFACTURED BY FORT MILLER, OR APPROVED EQUAL
- ALL MANHOLES SHALL BE VACUUM TESTED PRIOR TO BACKFILLING, PER SARATOGA COUNTY SEWER DISTRICT #1 STANDARD AND SPECIFICATIONS
- CONTRACTOR IS RESPONSIBLE FOR ESTABLISHING FLOW
- ALL OFF-SITE MANHOLES SHALL BE MARKED WITH RHINO MARKING PROTECTION SYSTEM PER SCSD #1
- CONTRACTOR IS RESPONSIBLE FOR ESTABLISHING FLOW



PROVIDE SMOOTH CHANNELS IN CONCRETE BASE WITH GRADUAL SIZE TRANSITIONS.

- NOT APPLICABLE FOR TERMINAL MANHOLES
- SEE INVERT, CHANNEL AND BENCHWALL DETAILS FOR FURTHER INSTRUCTION



MANHOLE SECTION BUTYL DETAIL

SANITARY MANHOLE
NOT TO SCALE

(S.C.S.D. #1)

SARATOGA COUNTY SEWER DISTRICT #1
RESERVES THE RIGHT, AT OUR DISCRETION, TO CHANGE, MODIFY, ADD OR REMOVE PORTIONS OF THESE DETAIL SPEC'S AT ANY TIME



SARATOGA COUNTY SEWER DISTRICT #1
1002 HUDSON RIVER ROAD, MECHANICVILLE, NEW YORK

P.O. Box 550 Mechanicville, New York 12118
<http://www.saratogacountyny.gov/departments/sewer-district-1/>

Telephone: (518) 664-7396
Fax: (518) 664-6280

S:\AuroCAD\SCSD Details\UPDATED 2019\UPDATED DETAIL S 2-22-2019\Sanitary Gravity Manhole.dwg