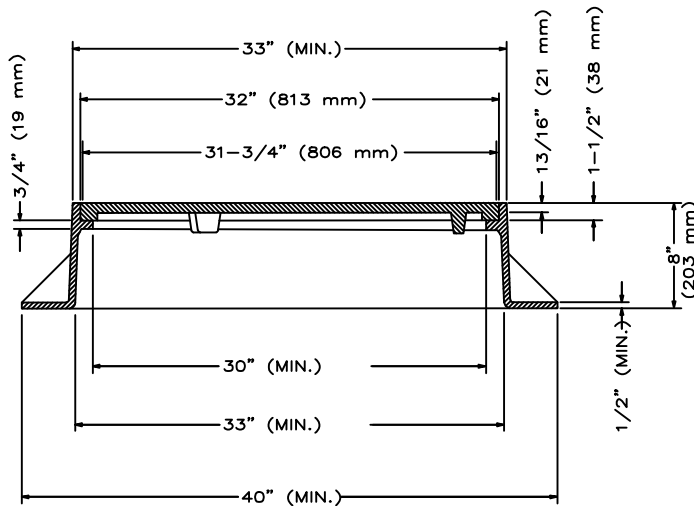
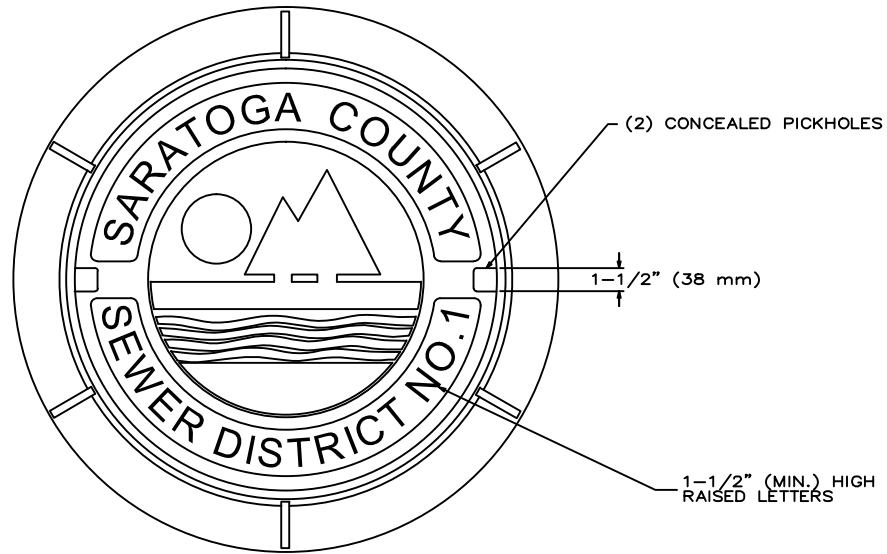
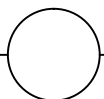


SARATOGA COUNTY SEWER DISTRICT #1  
 RESERVES THE RIGHT, AT OUR DISCRETION, TO  
 CHANGE, MODIFY, ADD OR REMOVE PORTIONS  
 OF THESE DETAIL SPEC'S AT ANY TIME



MANUFACTURER \_\_\_\_\_  
 SIP INDUSTRIES/SERAMPORE  
 EJ COMPANIES  
 NEENAH FOUNDRY

NOTE: \_\_\_\_\_  
 MATERIAL: GRAY IRON per ASTM A48 CLASS 35B



SANITARY MANHOLE COVER DETAIL (S.C.S.D. #1)  
 NOT TO SCALE



# SARATOGA COUNTY SEWER DISTRICT #1

1002 HUDSON RIVER ROAD, MECHANICVILLE, NEW YORK

P.O. Box 550 Mechanicville, New York 12118  
<http://www.saratogacountyny.gov/departments/sewer-district-1/>

Telephone: (518) 664-7396  
 Fax: (518) 664-6280